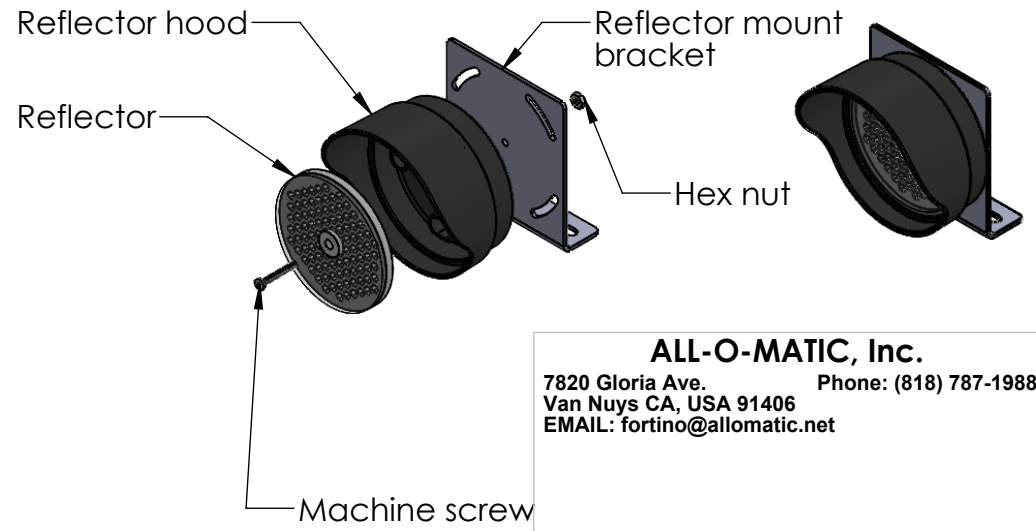


Assembly steps:

1. Mount the post/wall bracket using either face.
2. Add the two hex nuts to the plastic housing hex cavities.
3. With the hex nuts in place, insert the photo eye inside the main hood.
4. Align the photo eye holes with the main hood holes and thread the two screws into the hex nuts. Leave them loose for reflector alignment adjustment.
5. Attach the assembly to post/wall bracket using the two machine screws. Leave loose for reflector alignment adjustment.
6. after photo eye is installed and aligned with the reflector, add the weather cap at the top hole of the main hood.



ALL-O-MATIC, Inc.
 7820 Gloria Ave. Phone: (818) 787-1988
 Van Nuys CA, USA 91406
 EMAIL: fortino@allomatic.net

DRAWN BY:	F. Tarula	DATE DRAWN:	04/19/2023	CHECKED BY:		DATE CHECKED:	
-----------	-----------	-------------	------------	-------------	--	---------------	--

TITLE: **AOM-RED EYE assembly drawing**

SYMBOL	ECO#	ENGINEERING CHANGE ORDER REVISION DESCRIPTION	BY	CKD	DATE

SHEET **1** OF **1** SCALE: **1:8** DRAWING SIZE: **A** PART#: