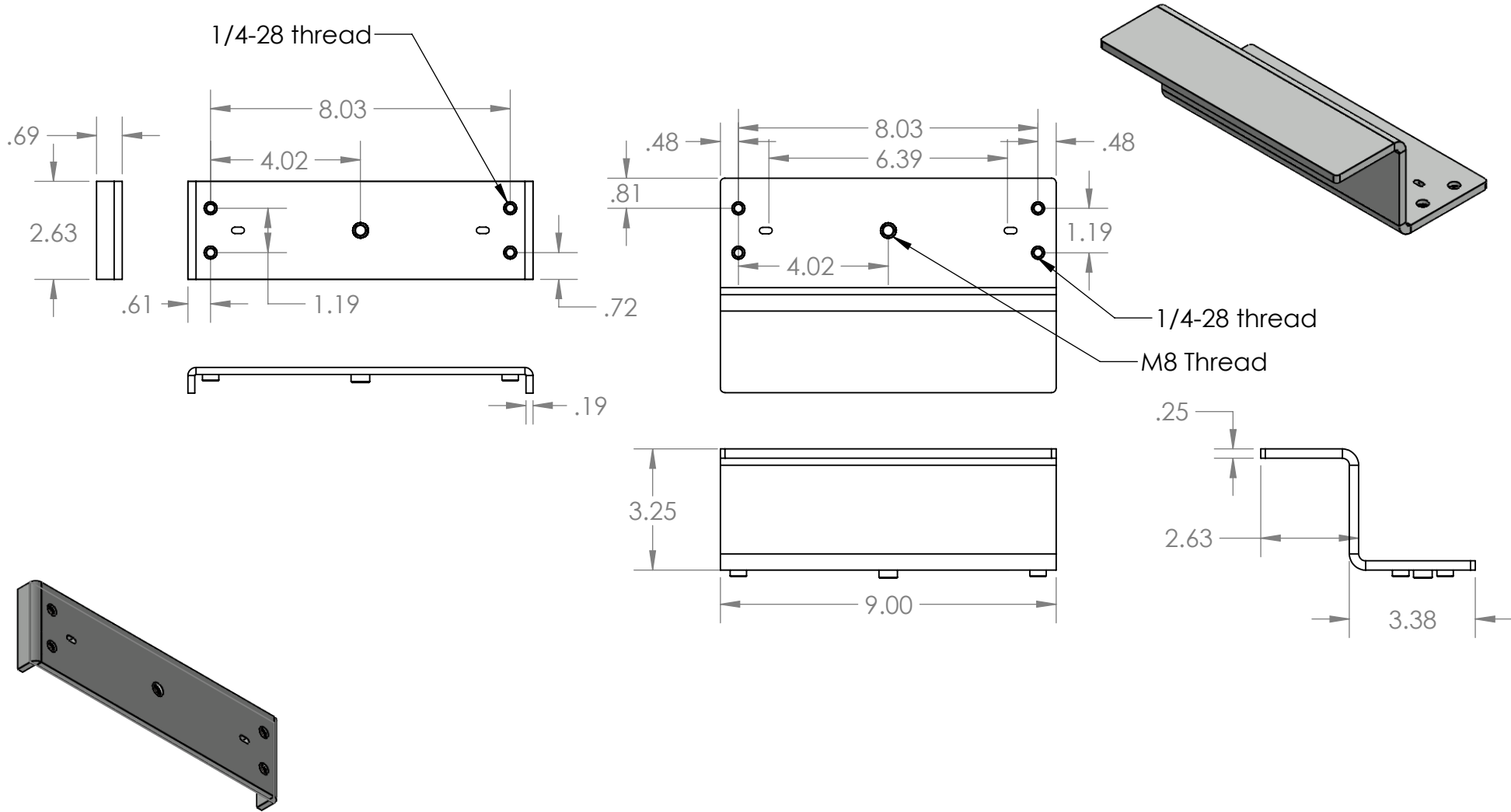


PRINTED ON: 12/1/2022 SW2018 V4



ALL-O-MATIC, Inc.
 7820 Gloria Ave. Phone: (818) 787-1988
 Van Nuys CA, USA 91406
 EMAIL: fortino@allomatic.net

DIMENSIONS ARE IN MILLIMETERS
 BREAK SHARP EDGES .10-.40
 MACHINED SURFACE FINISH IS
 1.6 MICROMETERS
 DO NOT SCALE DRAWING

THE INFORMATION DISCLOSED HEREIN WAS ORIGINATED BY
 AND IS THE PROPERTY OF ALL-O-MATIC, INC. AND ALL PATENT,
 PROPRIETARY, DESIGN, USE, SALE, MANUFACTURING, AND
 REPRODUCTION RIGHTS THERETO ARE RESERVED BY
 ALL-O-MATIC, INC.

DRAWN BY: F. Tarula DATE DRAWN: 11/29/2022 CHECKED BY: DATE CHECKED:
 MATERIAL: **Steel (zinc plated)**
 RAW MAT:

TITLE: Mounting brackets					SHEET 2 OF 2		SCALE: 1:4		DRAWING SIZE: A		PART#:	
SYMBOL	ECO#	ENGINEERING CHANGE ORDER REVISION DESCRIPTION	BY	CKD	DATE							