

ITEM NO.	DESCRIPTION	PART NUMBER	QTY.
1	FRAME ONLY	SW-320FM	1
2	PAD MOUNT	SPD-320	1
3	POST MOUNT	SPT-325	1
4	GEARBOX	GBX-320	1
5	GEARHEAD DC MOTOR	MTR-45	1
6	GEARHEAD DC MOTOR SPROCKET	41B15X58	1
7	TORQUE LIMITER ASSEMBLY	TLA-AY320	1
8	TORQUE LIMITER COLLAR	TLC-320	1
9	TORQUE LIMITER FRICTION DISC (2 PCS)	TLD-320	2
10		40-0.5P1ST22T22SN3.0 H2.0L1.6250N	1
11	TORQUE LIMITER BUSHING	TLB-320	1
12	TORQUE LIMITER PLATE	TLP-320	1
13	TORQUE LIMITER DISC WASHER	TLW-320	1
14	TORQUE LIMITER LOCK PLATE	TLL-320	1
15	TORQUE LIMITER NUT	TLN-320	1
16	DRIVE CHAIN	41NPX18	1
17	BRUSHLESS DC MOTOR BRACKET	MTR-B320	1
18	CONTROL BOX ASSEMBLY	CBX-AY320	1
19	CONTROL BOX	CBX-320	1
20	CONTROL BOX DC 45 CIRCUIT BOARD	BLDC-ULPCB45	1
21	CONTROL BOX RADIO RECEIVER STRIP	COM-1003	1
22	CONTROL BOX RESET PUSH BUTTON	COM-1004	1
23	CONTROL BOX ALARM BUZZER	COM-1005	1
24	CONTROL BOX BRIDGE RECTIFIER	COM-1006	1
25	CONTROL BOX LINE-IN HARNESS	COM-1014	1
26	CONTROL BOX COVER	CBC-1011	1
27	LIMIT SWITCH ASSEMBLY	LSA-AY320	1
28	LIMIT SWITCH	COM-1007	2
29	LIMIT SWITCH COLLAR	COM-1012	2
30	LIMIT SWITCH WIRE HARNESS	LSH-320	1
31	LIMIT SWITCH MOUNT BRACKET	LSB-320	1
32	POWER SUPPLY BOX ASSEMBLY	PSB-AY320	1
33	POWER SUPPLY BOX	PSB-320	1
34	POWER SUPPLY BOX TRANSFORMER	TFR-45	1
35	POWER SUPPLY BOARD	EMI-PCB	1
36	POWER SUPPLY WIRE HARNESS	PSH-320	1
37	POWER SUPPLY BOX 110 OUTLET	COM-1001	1
38	POWER BOX ON/OFF POWER SWITCH	COM-1000	2
39	7AH BATTERY	BTY-1270	2
40	BATTERY WIRE HARNESS ASSEMBLY	BTY-320DC	1
41	LOOP RACK	LPR-2	1
42	LOOP RACK WIRE HARNESS	LPR-H320	1
43	CRANK ARM	SCA-320	1
44	EXTERIOR PLASTIC COVER	EPC-320	1

ALL-O-MATIC, Inc.
 7820 Gloria Ave. Phone: (818) 787-1988
 Van Nuys CA, USA 91406
 EMAIL: fortino@allomatic.net

DIMENSIONS ARE IN INCHES
 BREAK SHARP EDGES 10-40
 MACHINED SURFACE FINISH IS
 1.6 MICROMETERS
 DO NOT SCALE DRAWING

THE INFORMATION DISCLOSED HEREIN WAS ORIGINATED BY
 AND IS THE PROPERTY OF ALL-O-MATIC, INC. AND ALL PATENT,
 PROPRIETARY, DESIGN, USE, SALE, MANUFACTURING, AND
 REPRODUCTION RIGHTS THERETO ARE RESERVED BY
 ALL-O-MATIC, INC.

DRAWN BY: S.HUERTA DATE: 05/30/2022 CHECKED BY: F.TARULA DATE CHECKED:
 MATERIAL:
 RAW MAT:
 TITLE: **SW-320DC**
 SHEET 1 OF 3 SCALE: 1:4 DRAWING SIZE: C PART#: SW-320DC

4

3

2

1

D

D

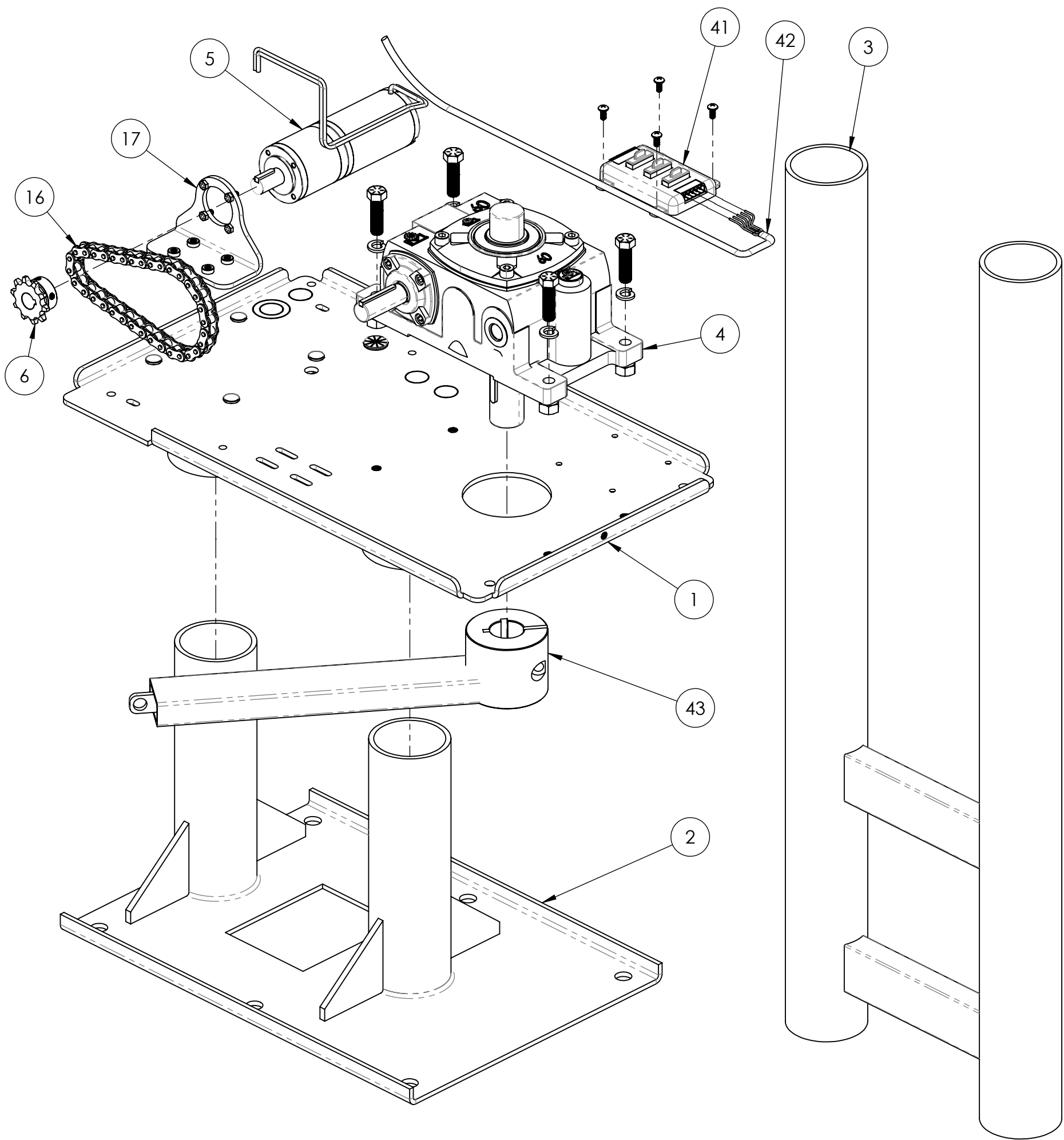
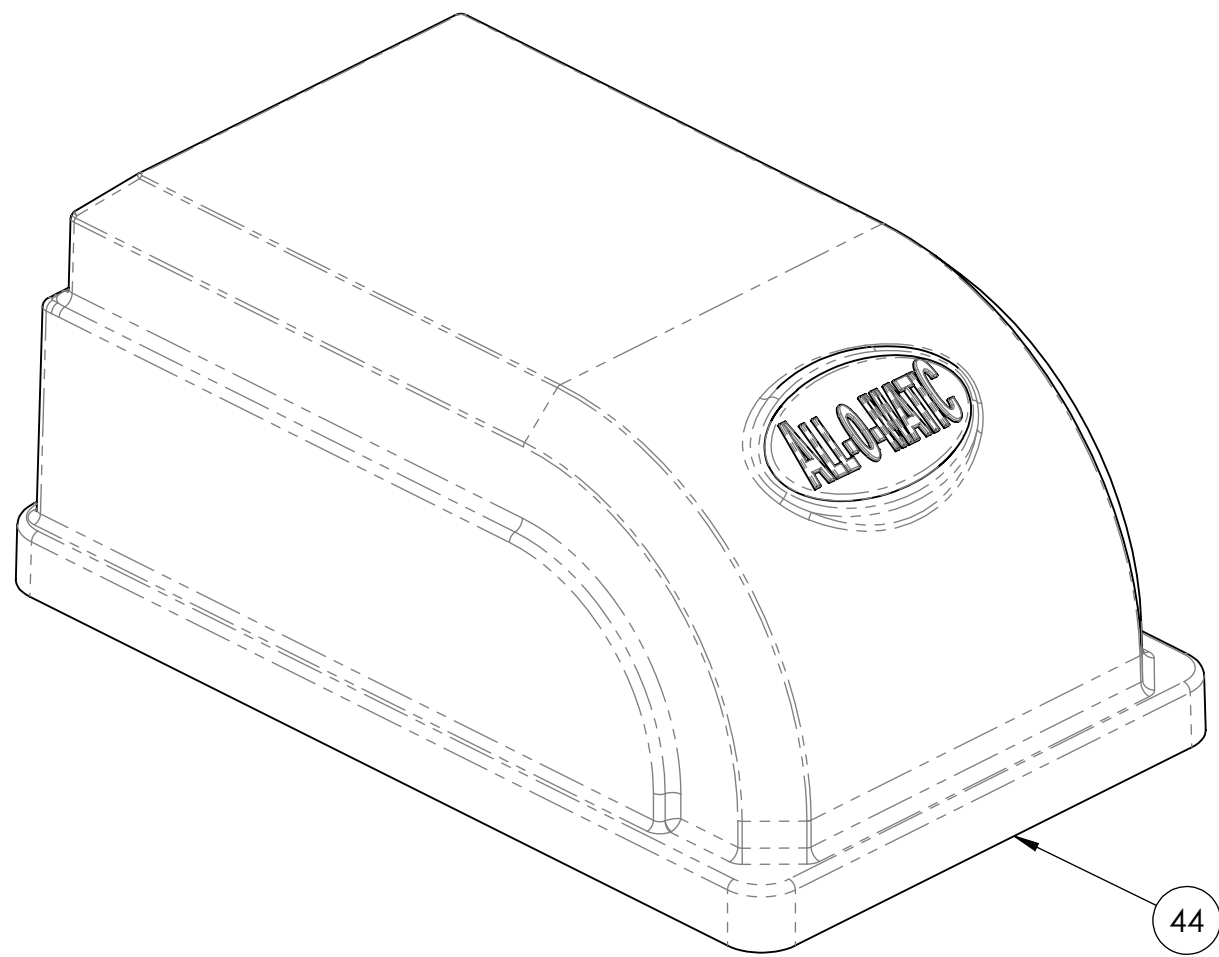
C

B

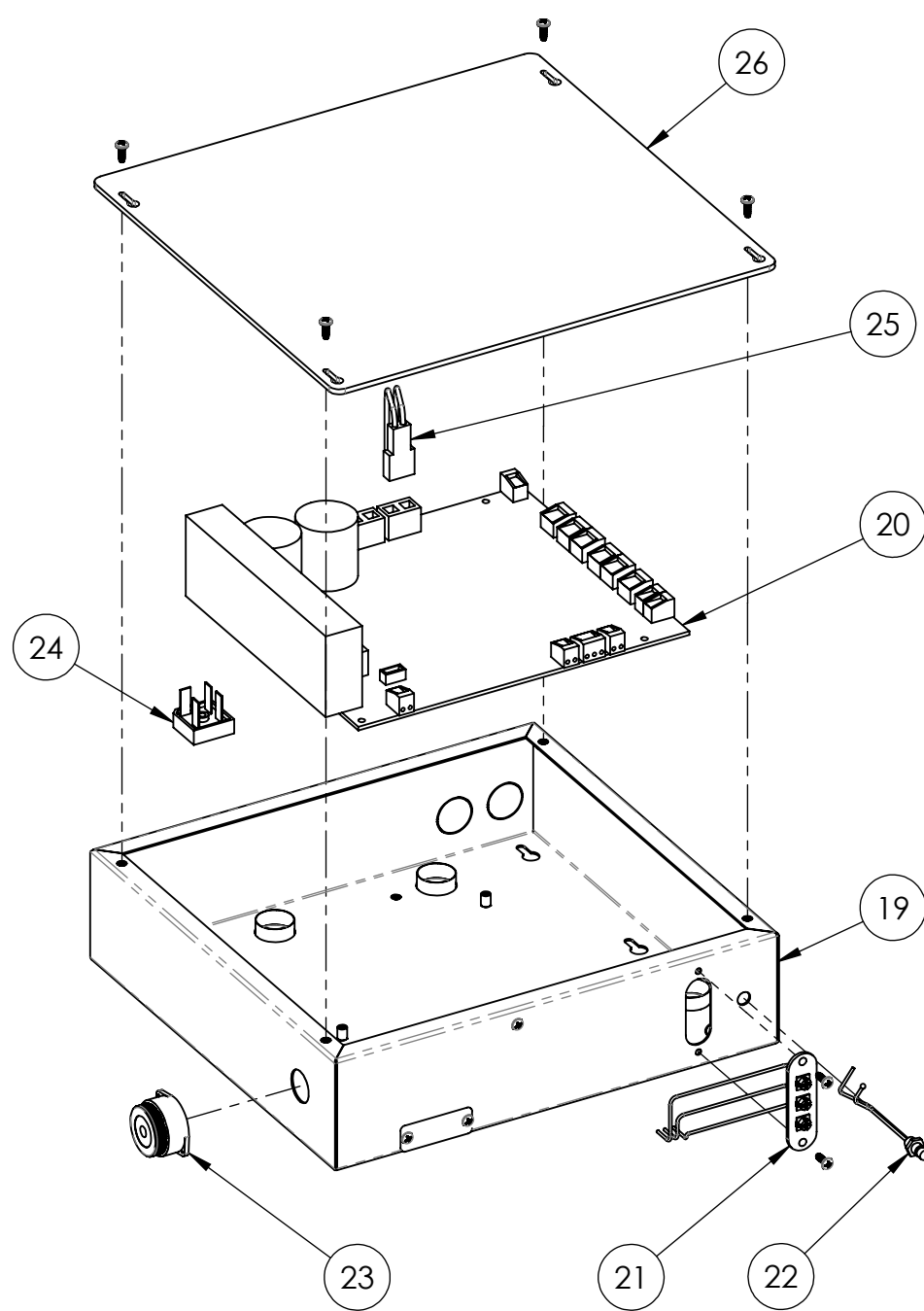
B

A

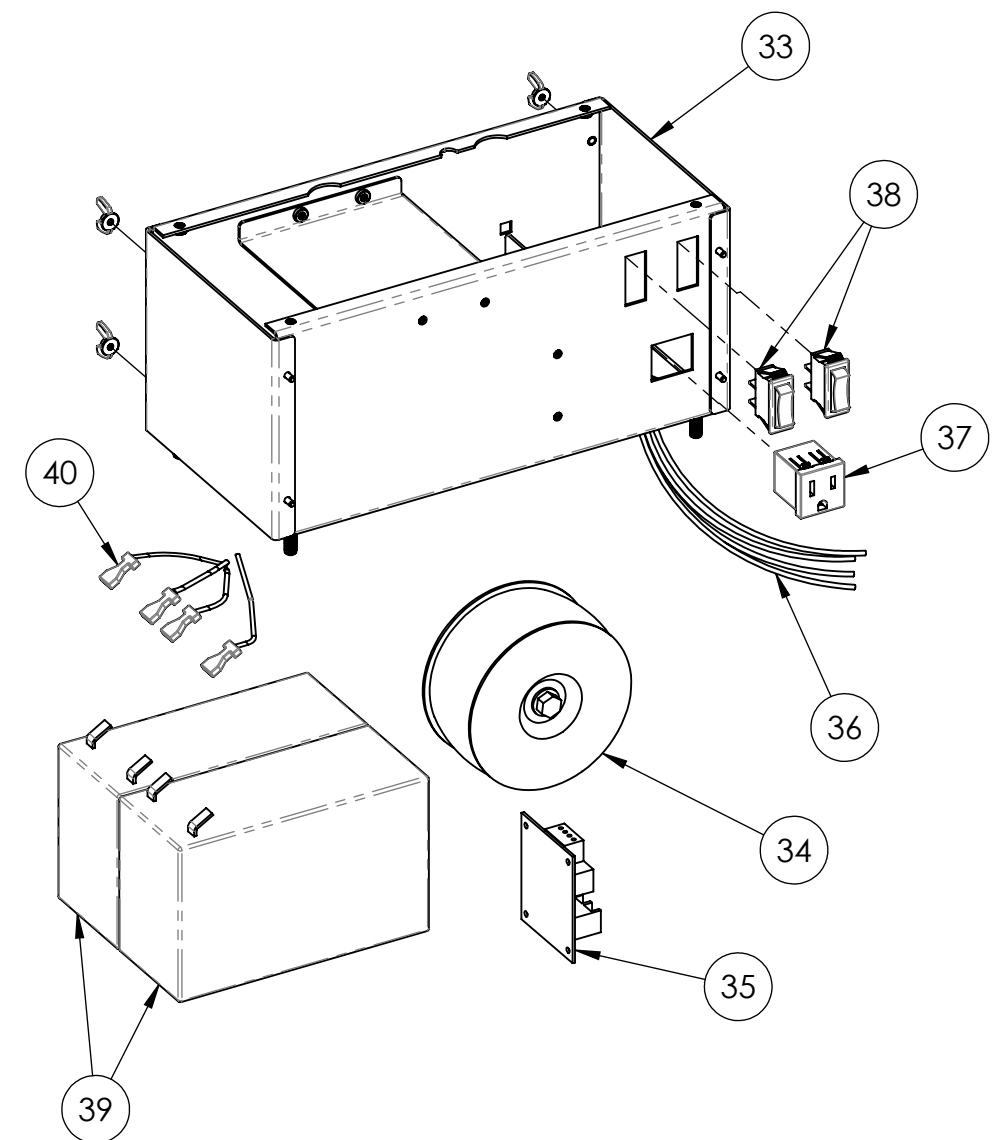
A



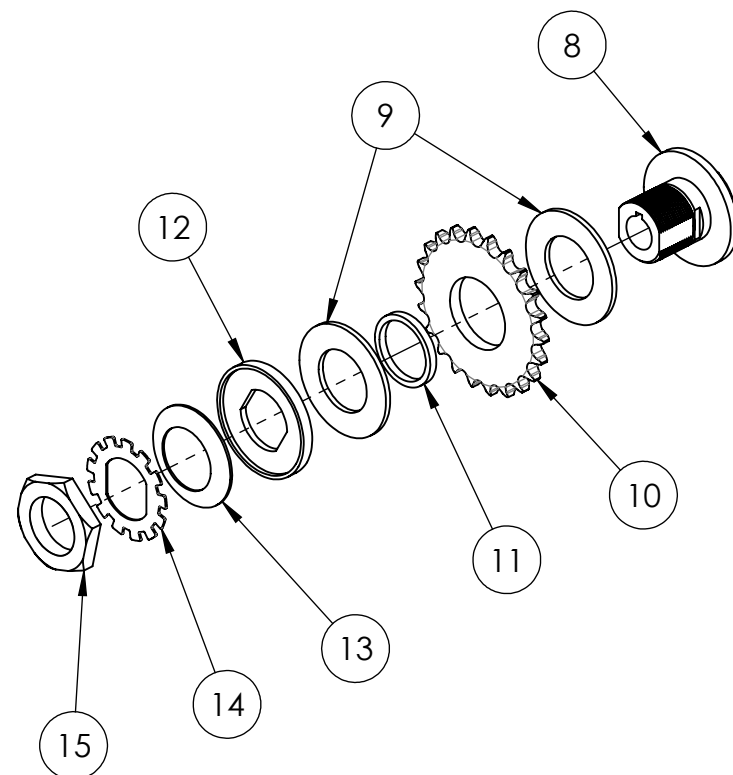
**CONTROL BOX ASSEMBLY:
CBX-AY320 (18)**



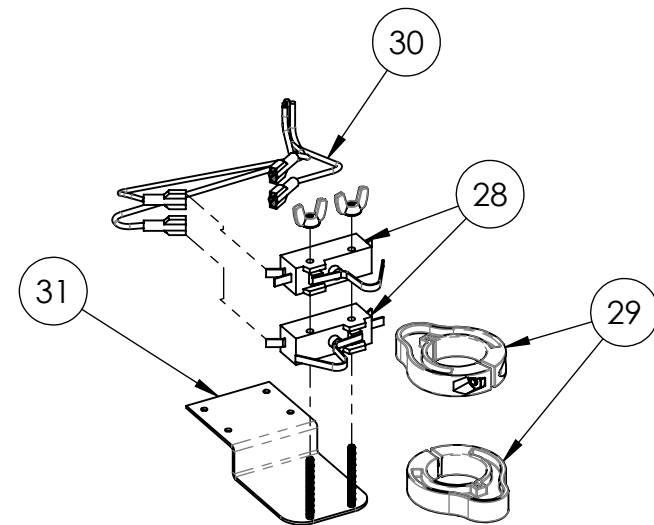
**POWER SUPPLY BOX ASSEMBLY:
PSB-AY320 (32)**



**TORQUE LIMITER ASSEMBLY:
TLA-AY320 (7)**



**LIMIT SWITCH ASSEMBLY:
LSA-AY320 (27)**

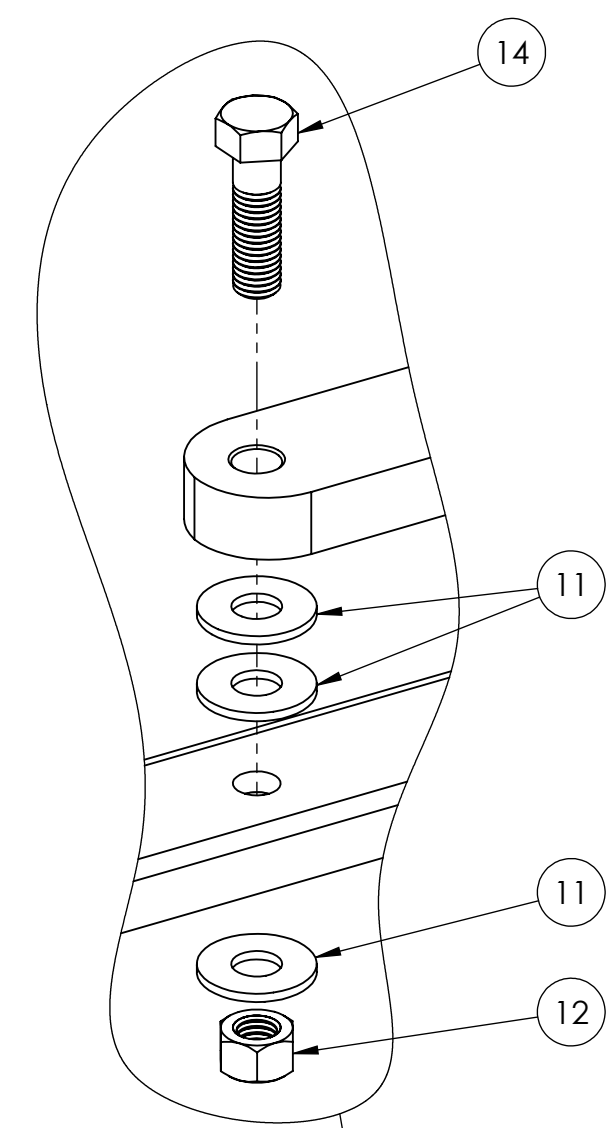


4

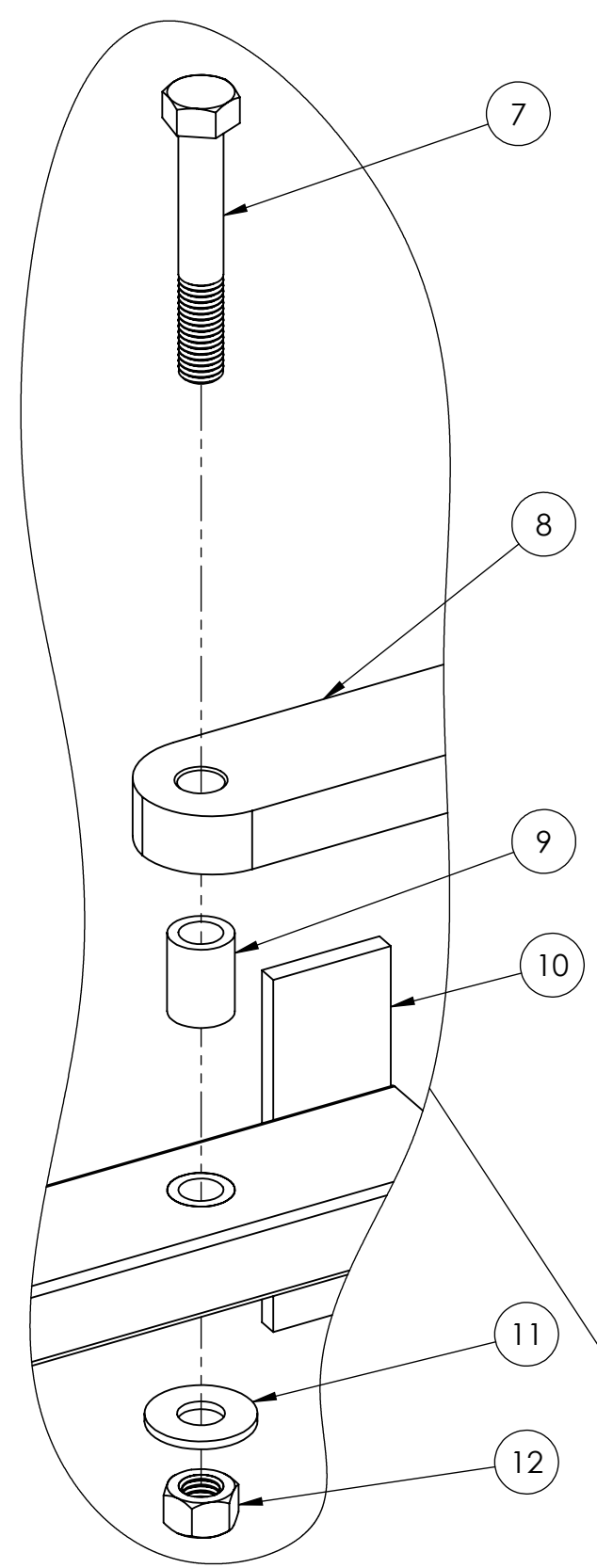
3

2

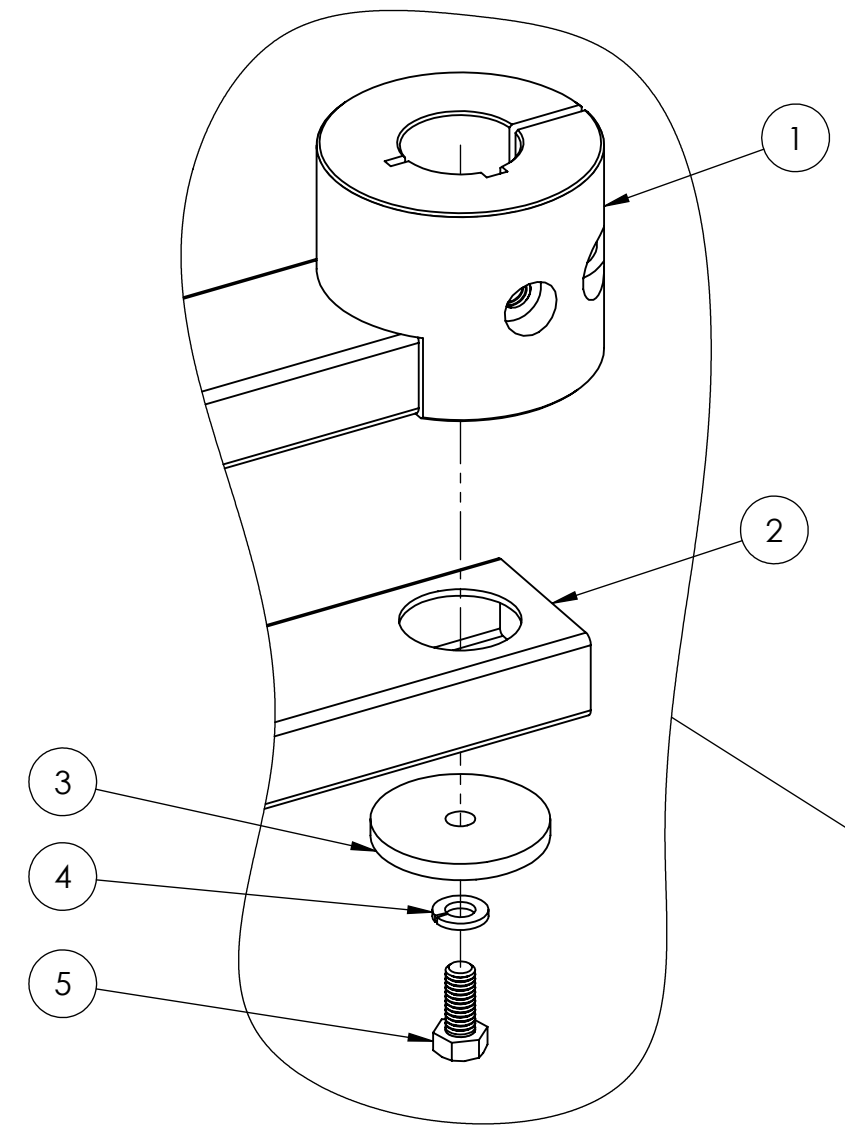
1



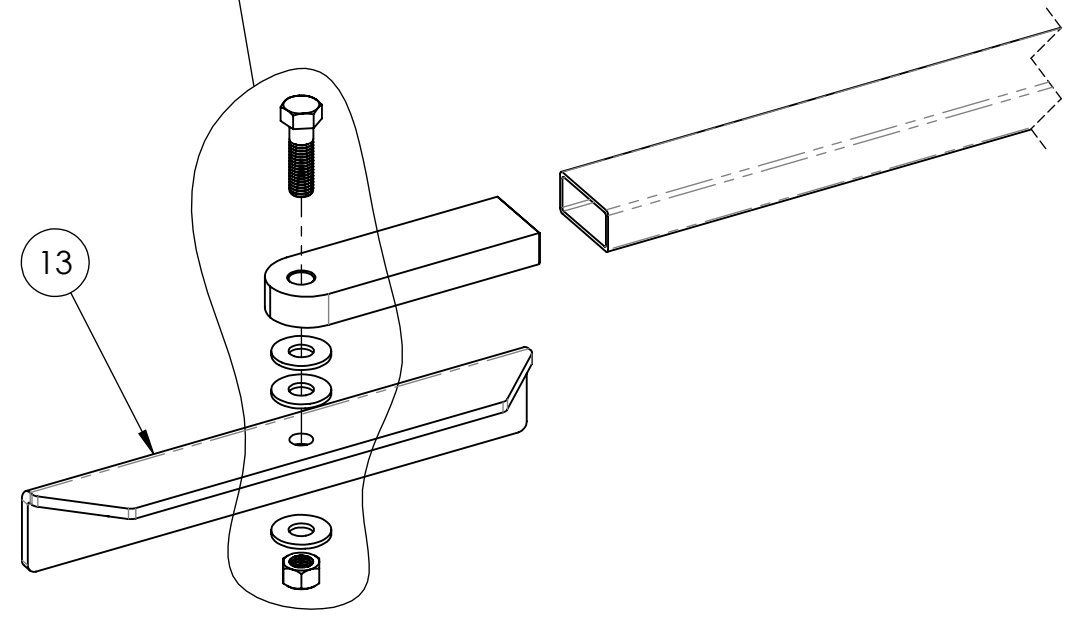
DETAIL A
SCALE 1 : 2



DETAIL B
SCALE 1 : 2



DETAIL C
SCALE 1 : 2



ITEM NO.	PART NUMBER	DESCRIPTION	QTY.
1	SCA-325	CRANK ARM	1
2	SPA-325	SWINGER PRIMARY ARM	1
3	SAR-325	ARM RETAINING WASHER	1
4	Regular LW 0.3125		1
5	HBOLT 0.3125-18x0.75x0.75-S		1
6	SQR-325	SWINGER QUICK RELEASE	1
7	HBOLT 0.5000-13x3.25x1.25-S		1
8	SAB-300RR	SWINGER ARM GATE BRACKET ATTACHMENT BAR	2
9	SAS-325	SWINGER ARM SPACER	1
10	SSA-300RR	SWINGER SECONDARY ARM	1
11	Regular FW 0.5		4
12	HNUT 0.5000-13-D-S		2
13	SGB-300RR	SWINGER ARM GATE BRACKET	1
14	HBOLT 0.5000-13x1.75x1.25-S		1