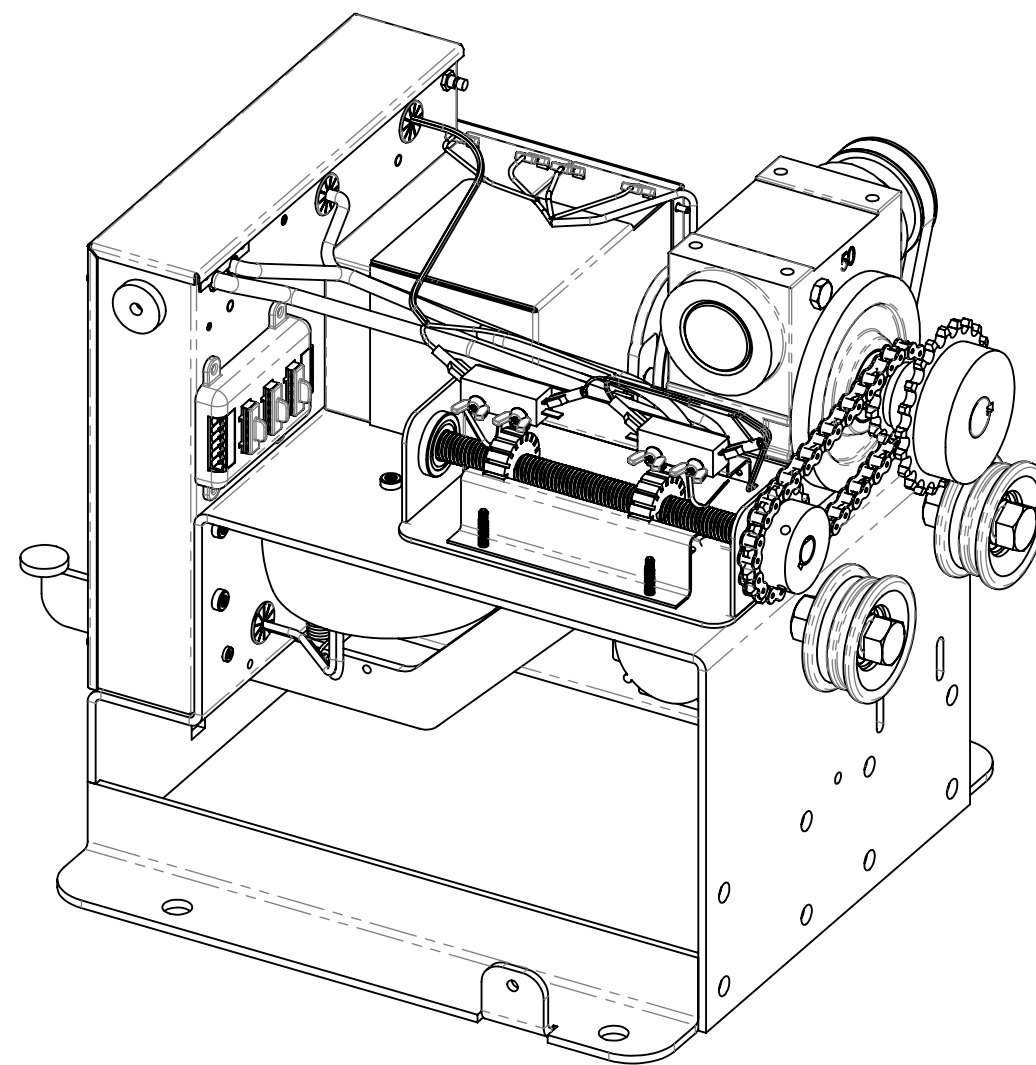
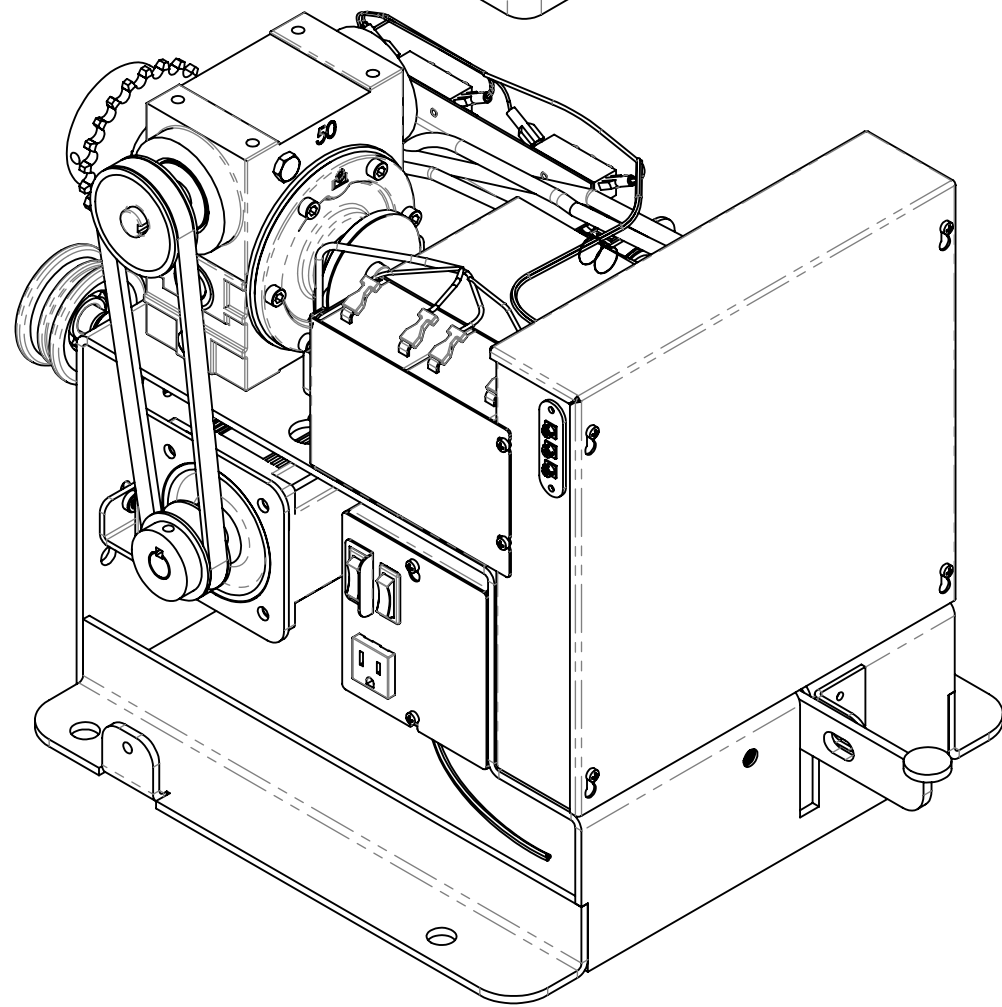
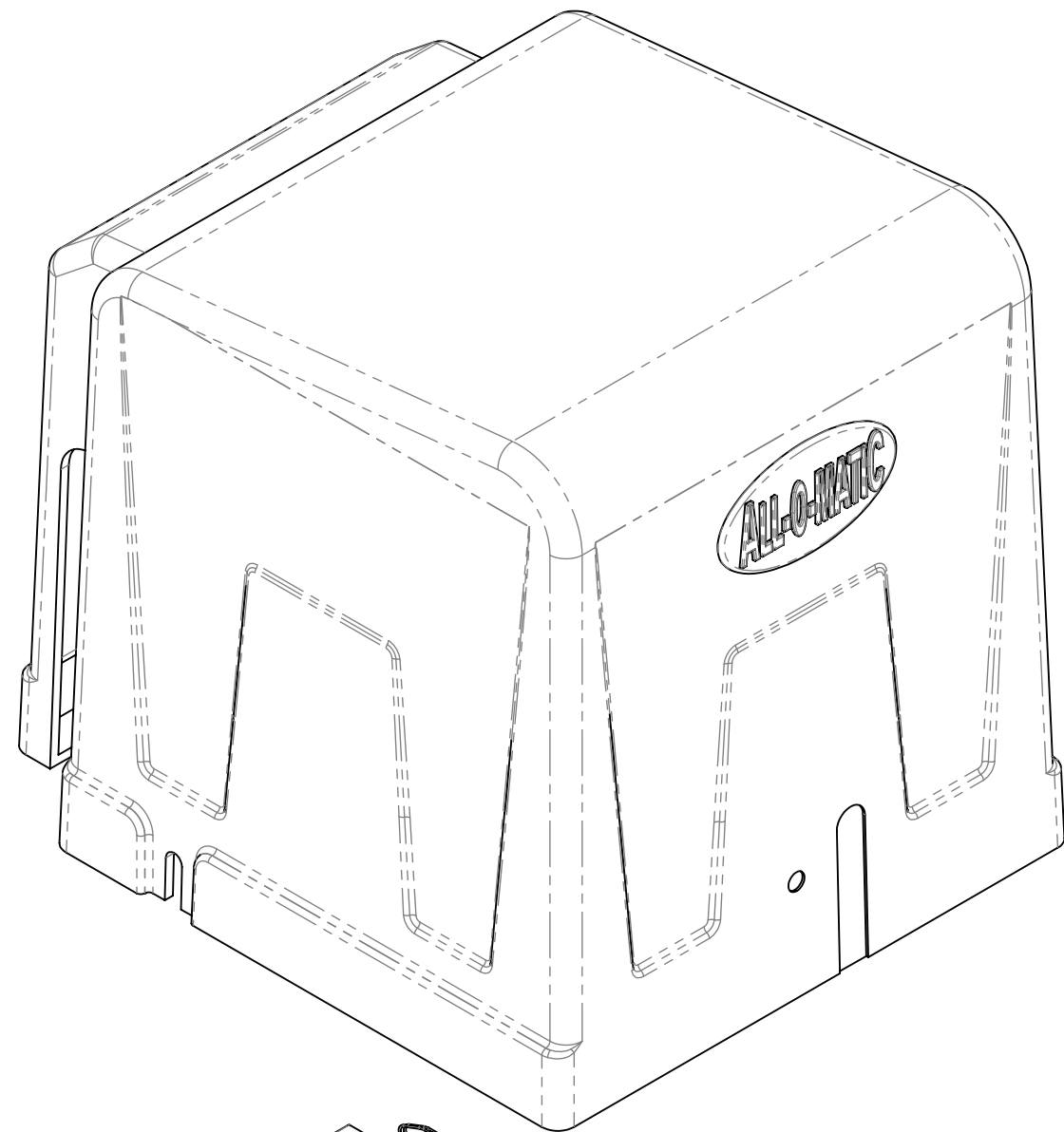


4

3

2

1



ITEM NO.	DESCRIPTION	PART NUMBER	QTY.
1	FRAME ONLY	SL-90FM	1
2	GEARBOX	GBX-101	1
3	GEARBOX DRIVE SPROCKET	41B22X78	1
4	GEARBOX PULLEY	PLY-25A	1
5	GEARBOX DRIVE SPROCKET (SMALL)	41B12X78	1
6	1/2 HP 250W BLDC MOTOR	MTR-1250	1
7	DC MOTOR MOUNT BRACKET	MTR-B1250	1
8	DC MOTOR PULLEY	PLY-2	1
9	DC MOTOR BELT	4L-230 (AX21)	1
10	CONTROL BOX ASSEMBLY	CBX-AY90	1
11	CONTROL BOX DC CONTROL BOARD - 1/2 HP	BLDC-ULPCB	1
12	CONTROL BOX	CBX-90	1
13	CONTROL BOX COVER	CBC-90	1
14	CONTROL BOX BRIDGE RECTIFIER	COM-1006	1
15	CONTROL BOX RESET PUSH BUTTON	COM-1004	1
16	CONTROL BOX ALARM BUZZER	COM-1005	1
17	CONTROL BOX LINE-IN HARNESS	COM-1016	1
18	CONTROL BOX RADIO RECEIVER STRIP	COM-1003	1
19	LIMIT SWITCH BOX ASSEMBLY	LSB-AY90	1
20	LIMIT BOX	LSB-103	1
21	LIMIT SWITCH	COM-1007	2
22	LIMIT SHAFT	LST-100	1
23	LIMIT SPROCKET	41B15X58	1
24	LIMIT SWITCH WIRE HARNESS	LSH-101	1
25	LIMIT SHAFT BEARINGS - 5/8"	BRG-6202B	2
26	LIMIT CHAIN	41NPX18	1
27	LIMIT SWITCH PLASTIC NUT	COM-1008	2
28	LIMIT TABLE SPRING (2)	SPG-7575	2
29	LIMIT BOX PLATE	LSP-100FP	1
30	POWER SUPPLY BOX ASSEMBLY	PSB-AY90	1
31	POWER SUPPLY BOX TRANSFORMER	TFR-90	1
32	POWER SUPPLY BOX	PSB-90	1
33	POWER SUPPLY BOX COVER	PSC-90	1
34	POWER SUPPLY BOARD	EMI-PCB	1
35	POWER SUPPLY BOX WIRE HARNESS	PSH-90	1
36	POWER SUPPLY BOX ON/OFF POWER SWITCH	COM-1000	2
37	POWER SUPPLY BOX 110VAC OUTLET	COM-1001	1
38	7 AH BATTERIES	BTY-1270	2
39	BATTERY BOX	BCU-90	1
40	BATTERY BOX COVER	BTC-90	1
41	BATTERY WIRE HARNESS	BTY-H90	1
42	FOOT PEDAL RELEASE ASSEMBLY	FPR-AY90	1
43	FOOT PEDAL RELEASE	FPR-90	1
44	FOOT PEDAL RELEASE KILL SWITCH	COM-1007P	1
45	FOOT PEDAL SQUARE HINGE SHAFT	SHS-90FP	1
46	FOOT PEDAL SPRING	SPG-90FP	1
47	FOOT PEDAL SPLIT PIVOT BRACKET (2 PCS)	HSB-90FP	1
48	FOOT PEDAL PIVOT BRACKET	HPB-90FP	1
49	FOOT PEDAL SPRING HOOK BRACKET	SHB-90FP	1
50	LOOP RACK	LPR-2	1
51	LOOP RACK WIRE HARNESS 19"	LPR-H90	1
52	EXTERIOR PLASTIC COVER	EPC-90	1
53	PLASTIC CHAIN IDLER	COM-1017	2
54	CHAIN BOLT (1PC)	COM-1010-1	1
55	CHAIN BRACKET (1PC)	COM-1009	1

**ALL-O-MATIC, Inc.**  
 7820 Gloria Ave. Phone: (818) 787-1988  
 Van Nuys CA, USA 91406  
 EMAIL: fortino@allomatic.net

DIMENSIONS ARE IN INCHES  
 BREAK SHARP EDGES 10-40  
 MACHINED SURFACE FINISH IS  
 1.6 MICROMETERS  
 DO NOT SCALE DRAWING

THE INFORMATION DISCLOSED HEREIN WAS ORIGINATED BY  
 AND IS THE PROPERTY OF ALL-O-MATIC, INC. AND ALL PATENT,  
 PROPRIETARY DESIGN, USE, SALE, MANUFACTURING, AND  
 REPRODUCTION RIGHTS THERETO ARE RESERVED BY  
 ALL-O-MATIC, INC.

DRAWN BY: S. HUERTA DATE: 08/23/2021 CHECKED BY: DATE CHECKED:

MATERIAL: RAW MAT:

TITLE: SL-90DC

SYMBOL	ECO#	ENGINEERING CHANGE ORDER REVISION DESCRIPTION	BY	CKD	DATE	SHEET 1 OF 2	SCALE: 1:4	DRAWING SIZE: C	PART#:
--------	------	---	----	-----	------	--------------	------------	-----------------	--------

4

3

2

1

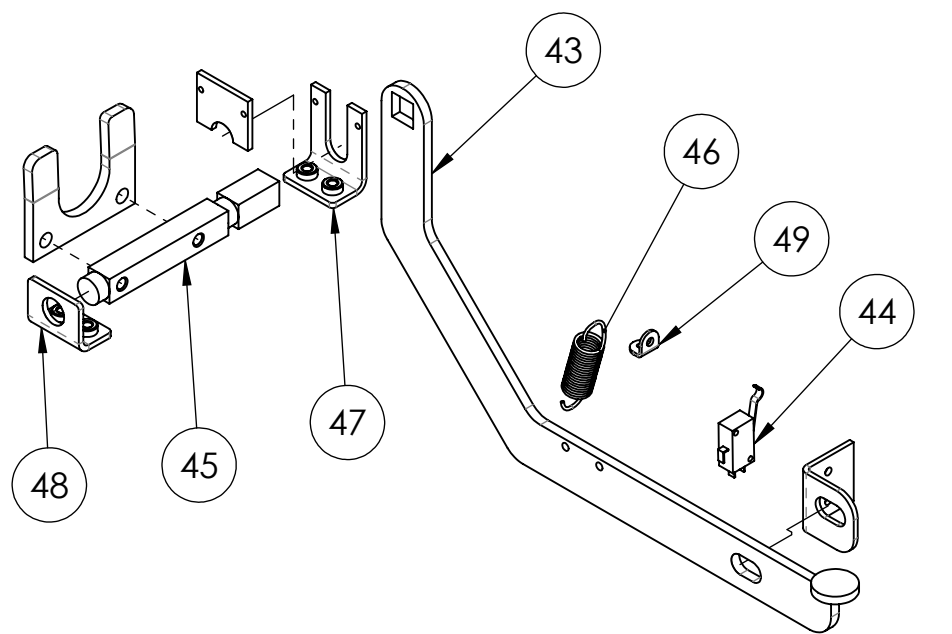
4

3

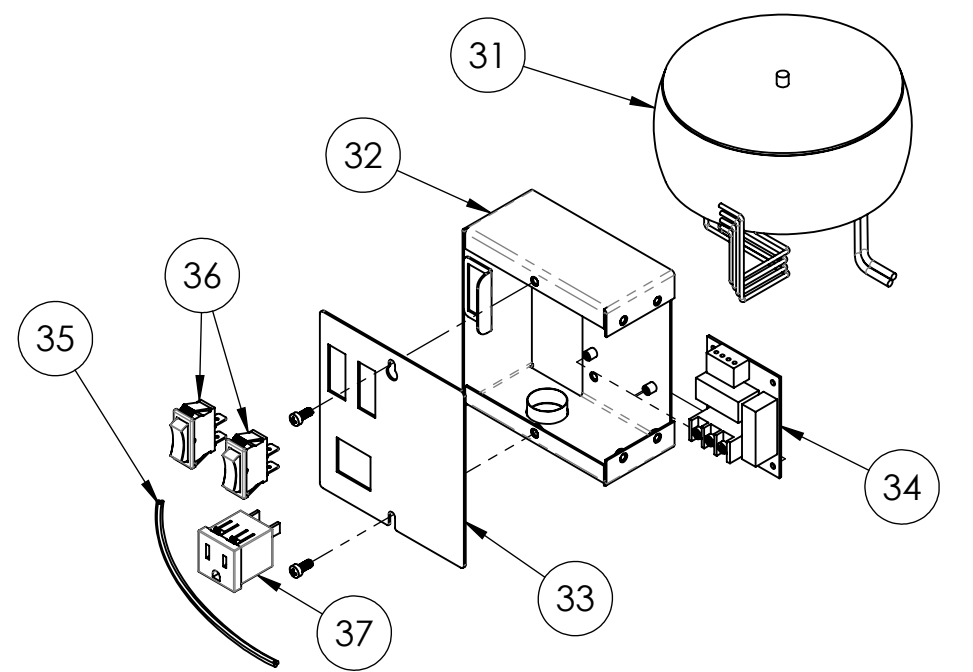
2

1

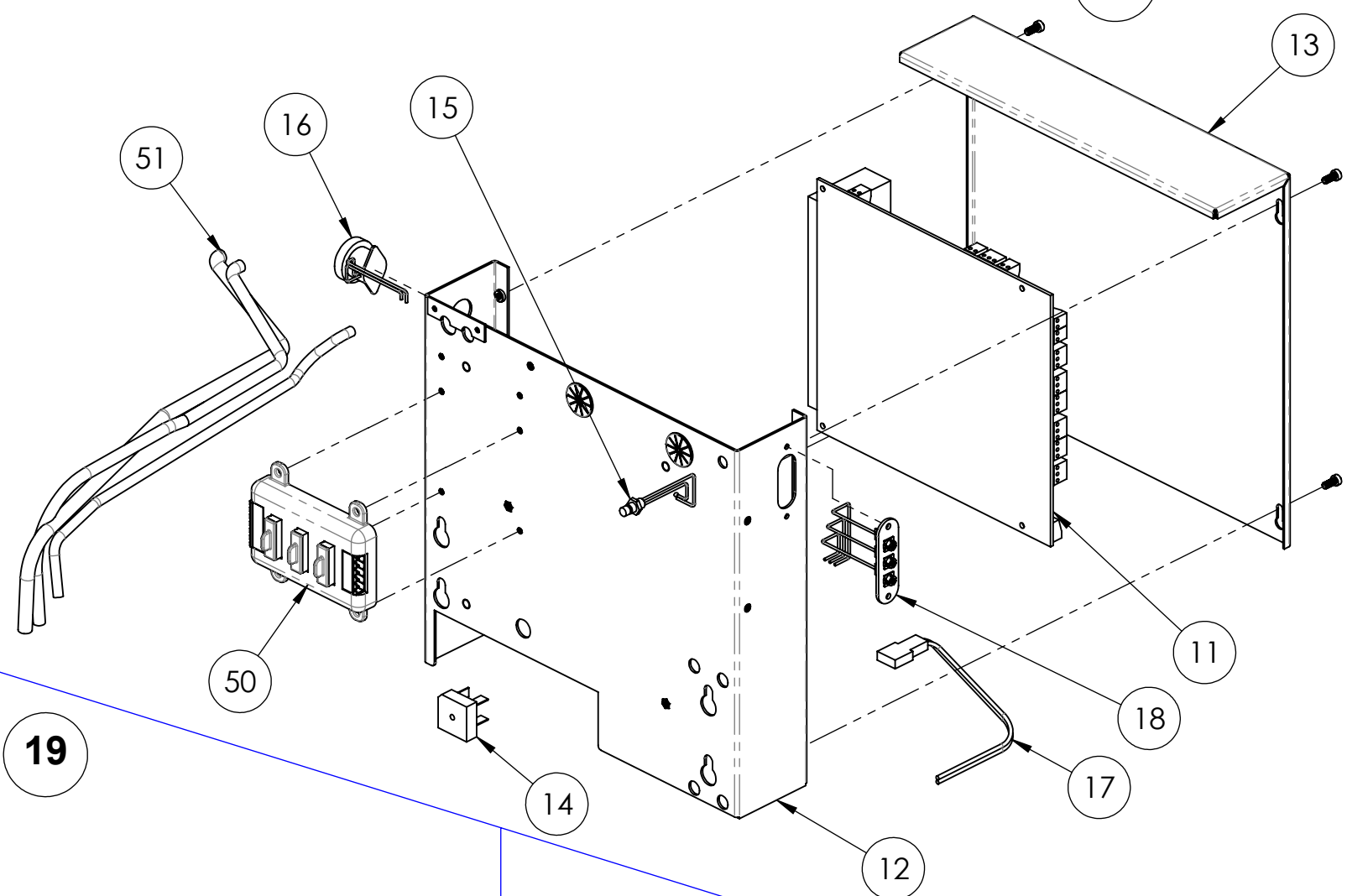
**FOOT PEDAL RELEASE : FPR-AY90 42**



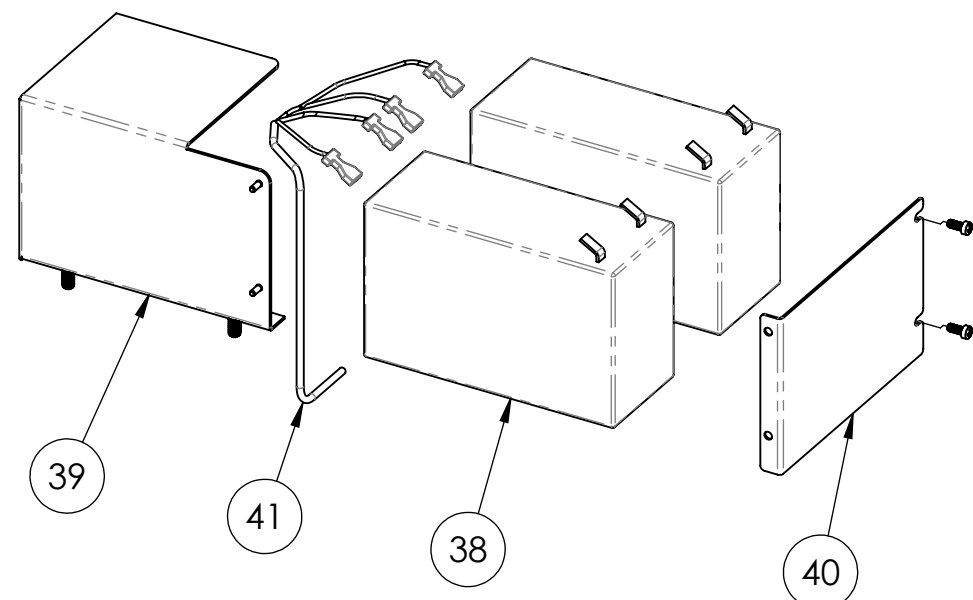
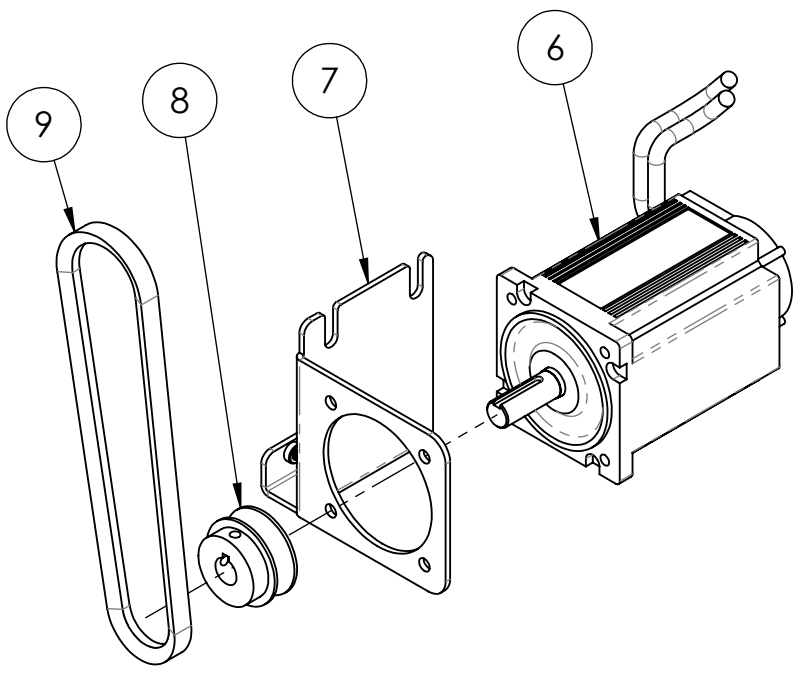
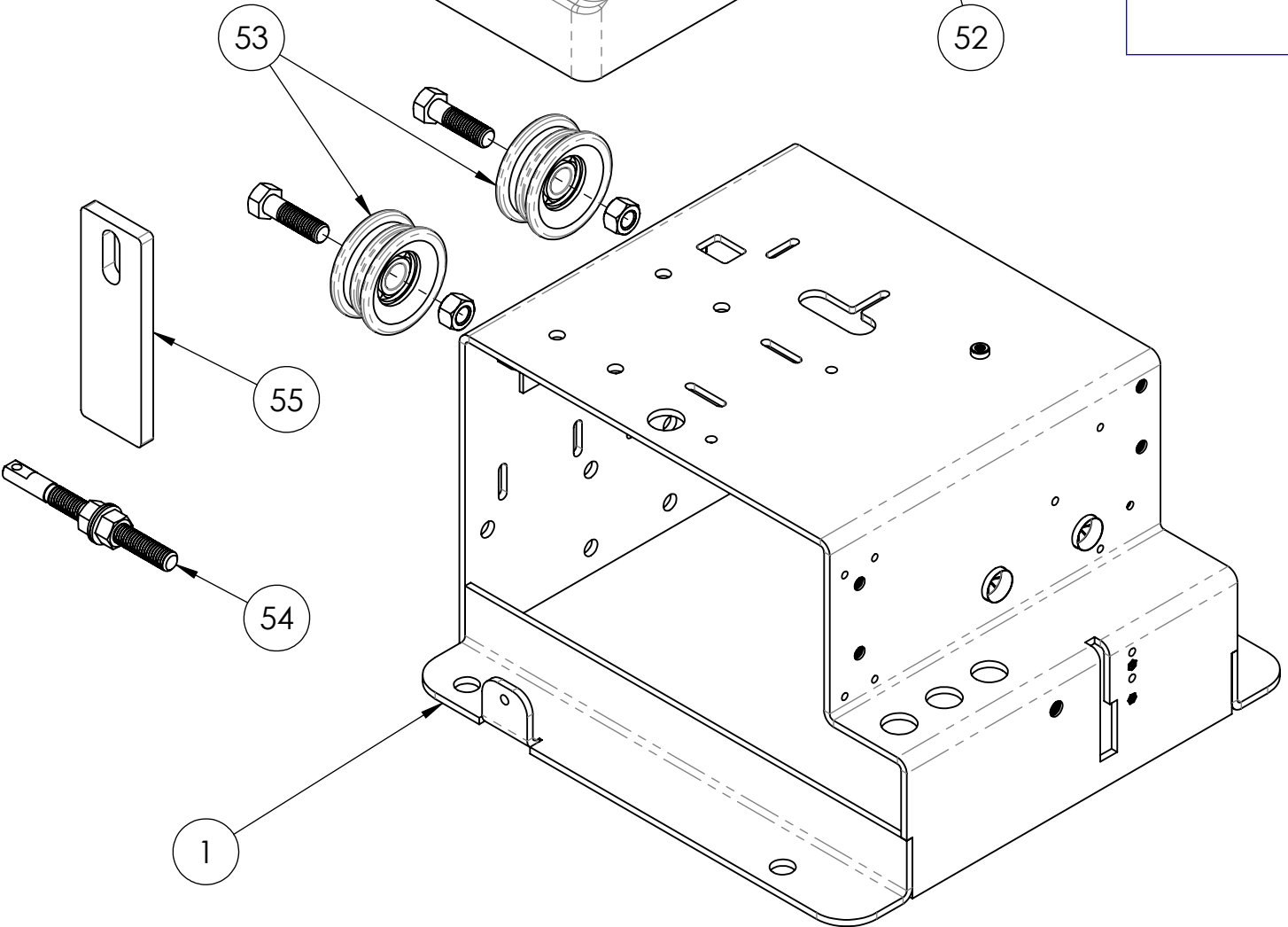
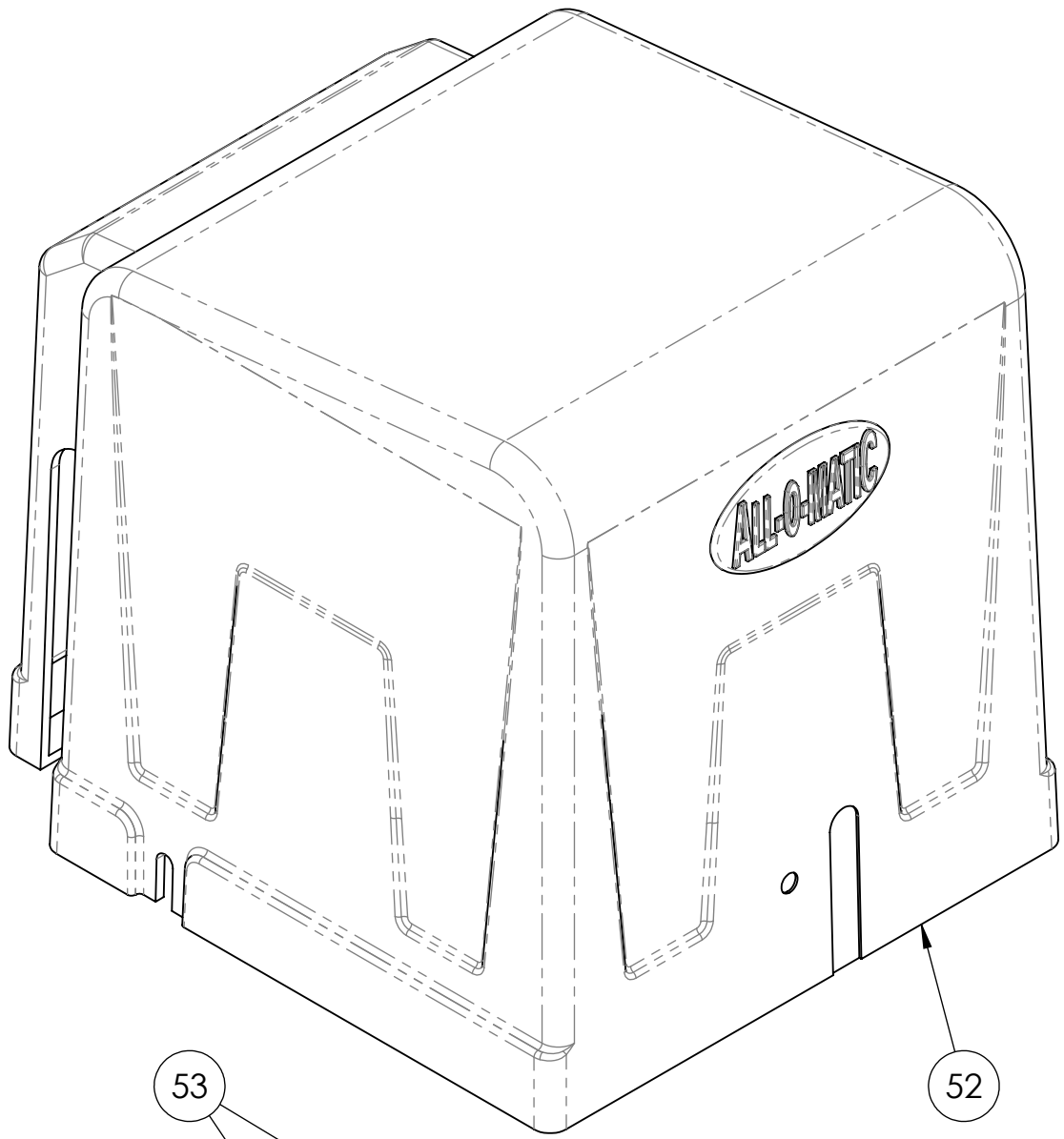
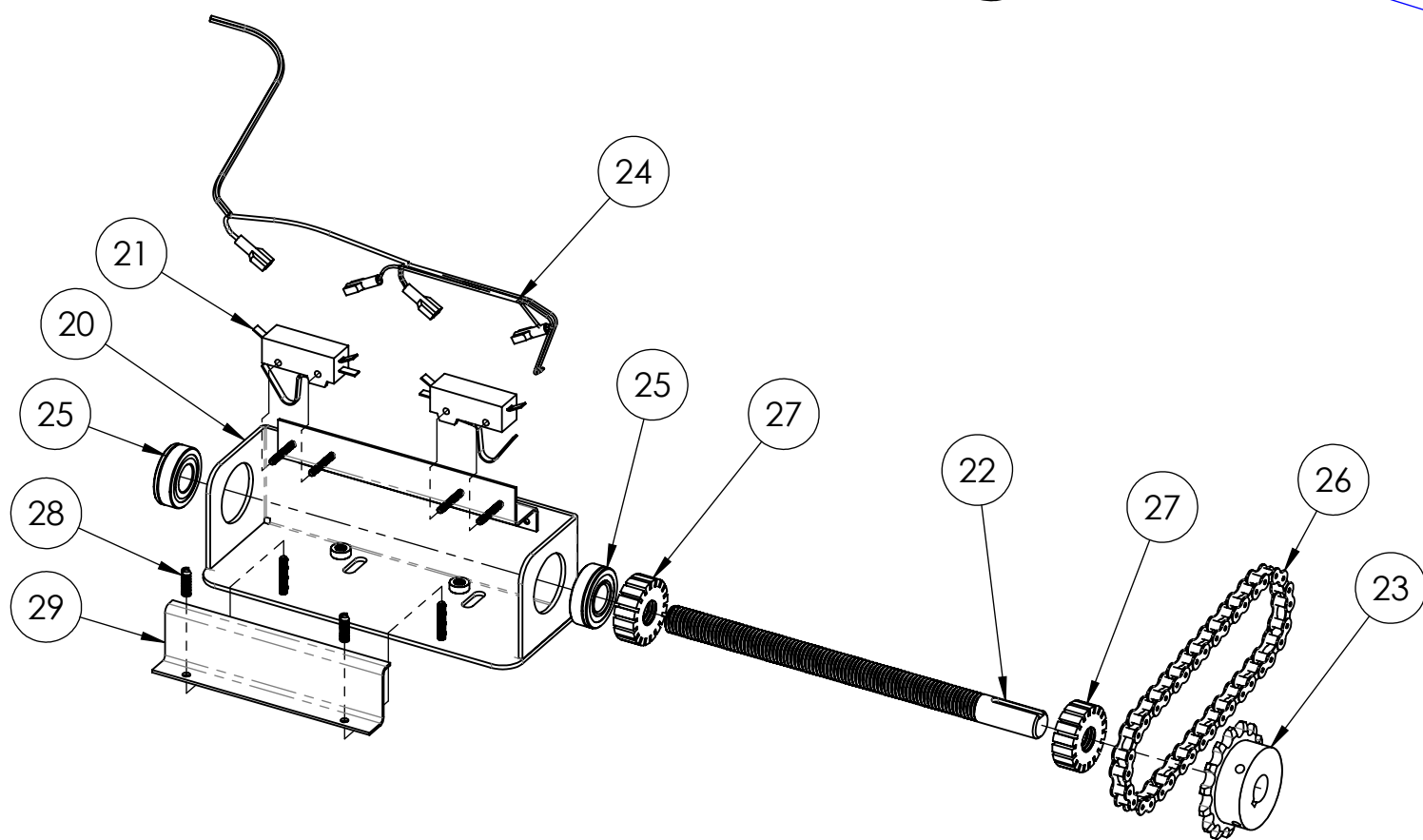
**POWER SUPPLY BOX : PSB-AY90 30**



**CONTROL BOX ASSEMBLY : CBX-AY90 10**



**LIMIT SWITCH BOX ASSEMBLY : LSB-AY90 19**



**ALL-O-MATIC, Inc.**  
 7820 Gloria Ave. Phone: (818) 787-1988  
 Van Nuys CA, USA 91406  
 EMAIL: fortino@allomatic.net

DIMENSIONS ARE IN INCHES  
 BREAK SHARP EDGES 10-40  
 MACHINED SURFACE FINISH IS  
 1.6 MICROMETERS  
 DO NOT SCALE DRAWING

THE INFORMATION DISCLOSED HEREIN WAS ORIGINATED BY  
 AND IS THE PROPERTY OF ALL-O-MATIC, INC. AND ALL PATENT,  
 PROPRIETARY, DESIGN, USE, SALE, MANUFACTURING, AND  
 REPRODUCTION RIGHTS THERETO ARE RESERVED BY  
 ALL-O-MATIC, INC.

DRAWN BY: S. HUERTA DATE: 08/23/2021 CHECKED BY: DATE CHECKED:  
 MATERIAL: RAW MAT:

TITLE: **SL-90DC**  
 SHEET 2 OF 2 SCALE: 1:4 DRAWING SIZE: C PART#:

SYMBOL	ECO#	ENGINEERING CHANGE ORDER REVISION DESCRIPTION	BY	CKD	DATE

4

3

2

1