

4

3

2

1

D

D

C

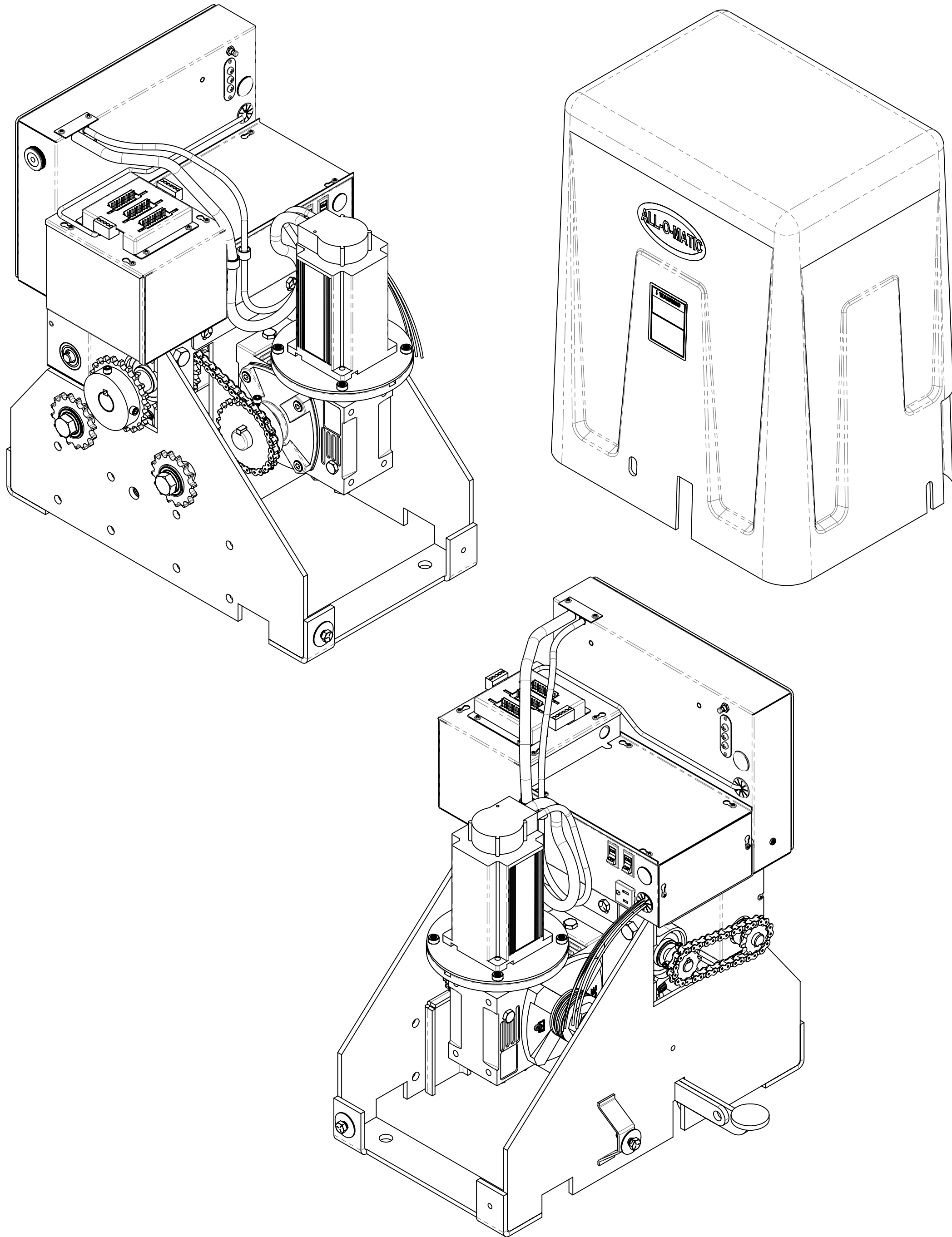
C

B

B

A

A



ITEM NO.	DESCRIPTION	PART NUMBER	SL-150/QTY.
1	FRAME ONLY	SL-150FM	1
2	GEAR BOX	GBX-150	1
3	GEAR BOX AND MAIN DRIVE SPROCKET	40B22X1	2
4	GEARBOX DRIVE SPROCKET CHAIN	40NPX20	1
5	1/2 HP BRUSHLESS DC MOTOR	MTR-1500	1
6	C-PHASE MOTOR BRACKET	MTR-B1500	1
7	1 HP DC MOTOR	MTR-1750	1
8	CONTROL BOX ASSEMBLY	CBX-AY150	1
9	CONTROL BOX	CBX-150	1
10	CONTROL BOX COVER	CBC-150	1
11	CONTROL BOX DC CONTROL BOARD - 1 HP	BLDC-ULPCB1	1
12	CONTROL BOX RADIO RECEIVER STRIP	COM-1003	1
13	CONTROL BOX RESET PUSH BUTTON	COM-1004	1
14	CONTROL BOX ALARM BUZZER	COM-1005	1
15	LIMIT BOX ASSEMBLY	LSB-AY150	1
16	LIMIT BOX W/COVER	LSB-150	1
17	LIMIT SHAFT	LST-150	1
18	LIMIT SHAFT BEARING - 1/2"	BRG-6202A	1
19	LIMIT SHAFT BEARING - 5/8"	BRG-6202B	1
20	LIMIT SHAFT SPROCKET	41B10X58	2
21	LIMIT CHAIN	41NPX13	1
22	LIMIT SWITCH PLASTIC NUT	COM-1008	2
23	LIMIT SWITCH SPRINGS (2 PCS)	SPG-7575	2
24	LIMIT SWITCH	COM-1007	2
25	LIMIT SWITCH WIRE HARNESS	LSH-150	1
26	POWER SUPPLY ASSEMBLY	PSB-AY150	1
27	POWER SUPPLY BOX 110 OUTLET	COM-1001	1
28	POWER SUPPLY BOX ON/OFF POWER SWITCH	COM-1000	2
29	POWER SUPPLY BOARD	EMI-PCB	1
30	POWER SUPPLY BOX BRIDGE RECTIFIER	COM-1006	1
31	POWER SUPPLY BOX LINE-IN WIRE HARNESS	COM-1016	1
32	POWER SUPPLY BOX TRANSFORMER	TFR-480	1
33	POWER SUPPLY BOX	PSB-150	1
34	POWER SUPPLY BOX COVER	PSC-150	1
35	POWER SUPPLY BOX WIRE HARNESS	PSH-150	1
36	7AH BATTERY	BTY-1270	2
37	BATTERY BOX	BTB-150	1
38	BATTERY BOX COVER	BTC-150	1
39	BATTERY WIRE HARNESS 18"X19"	BTY-H150	1
40	CLUTCH AND DRIVE ASSEMBLY	DSA-AY150	1
41	MAIN DRIVE SHAFT	DST-150	1
42	MAIN DRIVE SHAFT PILLOW BLOCK BEARINGS	BRG-205P	2
43	MAIN DRIVE SHAFT DOG CLUTCH	DGC-150	1
44	MAIN DRIVE SHAFT DOG CLUTCH SPROCKET	40B18X1	1
45	MAIN DRIVE SHAFT SPRING	SPG-150	1
46	Z BRACKET	ZBT-150	1
47	METAL CHAIN IDLER	41BB17	2
48	EXTERIOR PLASTIC COVER	EPC-150	1
49	LOOP RACK	LPR-1	1
50	LOOP RACK WIRE HARNESS 20"	LPR-H150	1
51	CHAIN BRACKET (1 PC)	COM-1009	1
52	CHAIN BOLT (1 PC)	COM-1010-1	1
53	FOOT PEDAL RELEASE	FPR-150	1
54	FOOT PEDAL RELEASE KILL SWITCH	COM-1007P	1

ALL-O-MATIC, Inc.
 7820 Gloria Ave. Phone: (818) 787-1988
 Van Nuys CA, USA 91406
 EMAIL: fortino@allomatic.net

DIMENSIONS ARE IN INCHES
 BREAK SHARP EDGES 10-40
 MACHINED SURFACE FINISH IS
 1.6 MICROMETERS
 DO NOT SCALE DRAWING

THE INFORMATION DISCLOSED HEREIN WAS ORIGINATED BY
 AND IS THE PROPERTY OF ALL-O-MATIC, INC. AND ALL PATENT,
 PROPRIETARY, DESIGN, USE, SALE, MANUFACTURING, AND
 REPRODUCTION RIGHTS THERETO ARE RESERVED BY
 ALL-O-MATIC, INC.

DRAWN BY: DATE DRAWN: CHECKED BY: DATE CHECKED:
 MATERIAL: RAW MAT:
 TITLE: **SL-150**

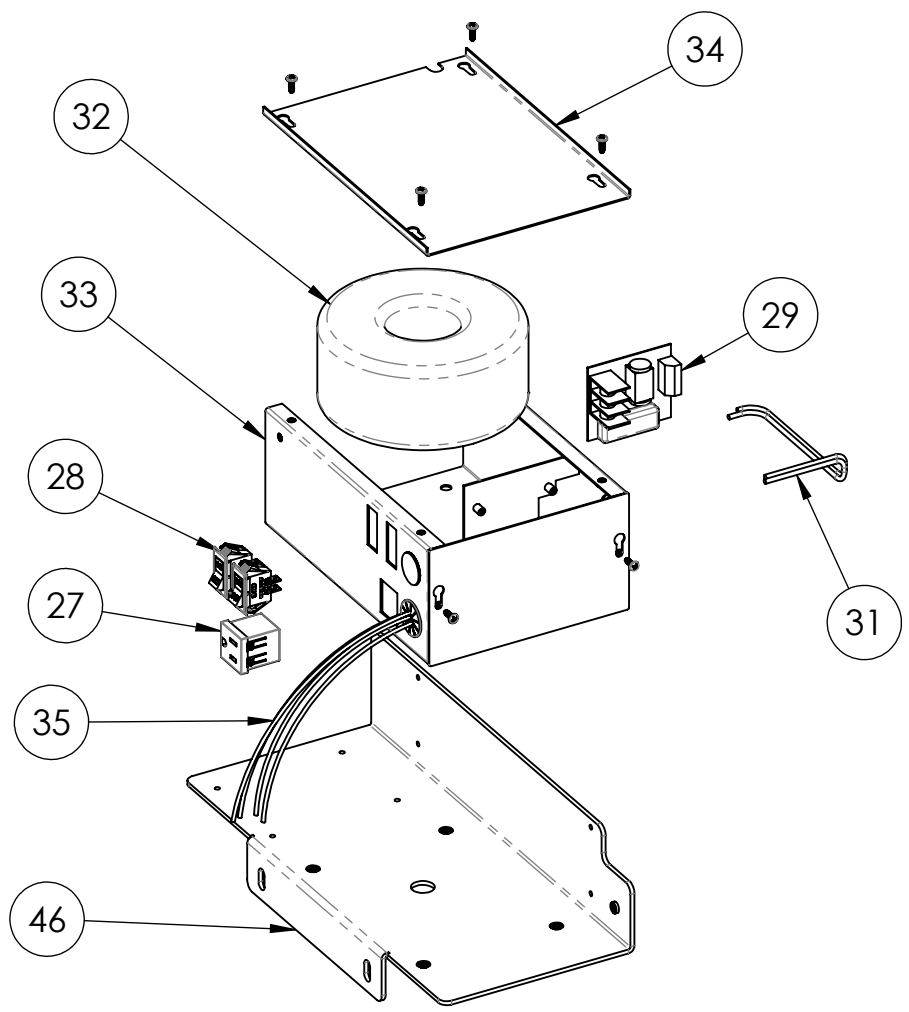
SYMBOL	ECO#	ENGINEERING CHANGE ORDER REVISION DESCRIPTION	BY	CKD	DATE	SHEET 1 OF 2	SCALE: 1:10	DRAWING SIZE: C	PART#:
--------	------	-----------------------------------------------	----	-----	------	--------------	-------------	-----------------	--------

4

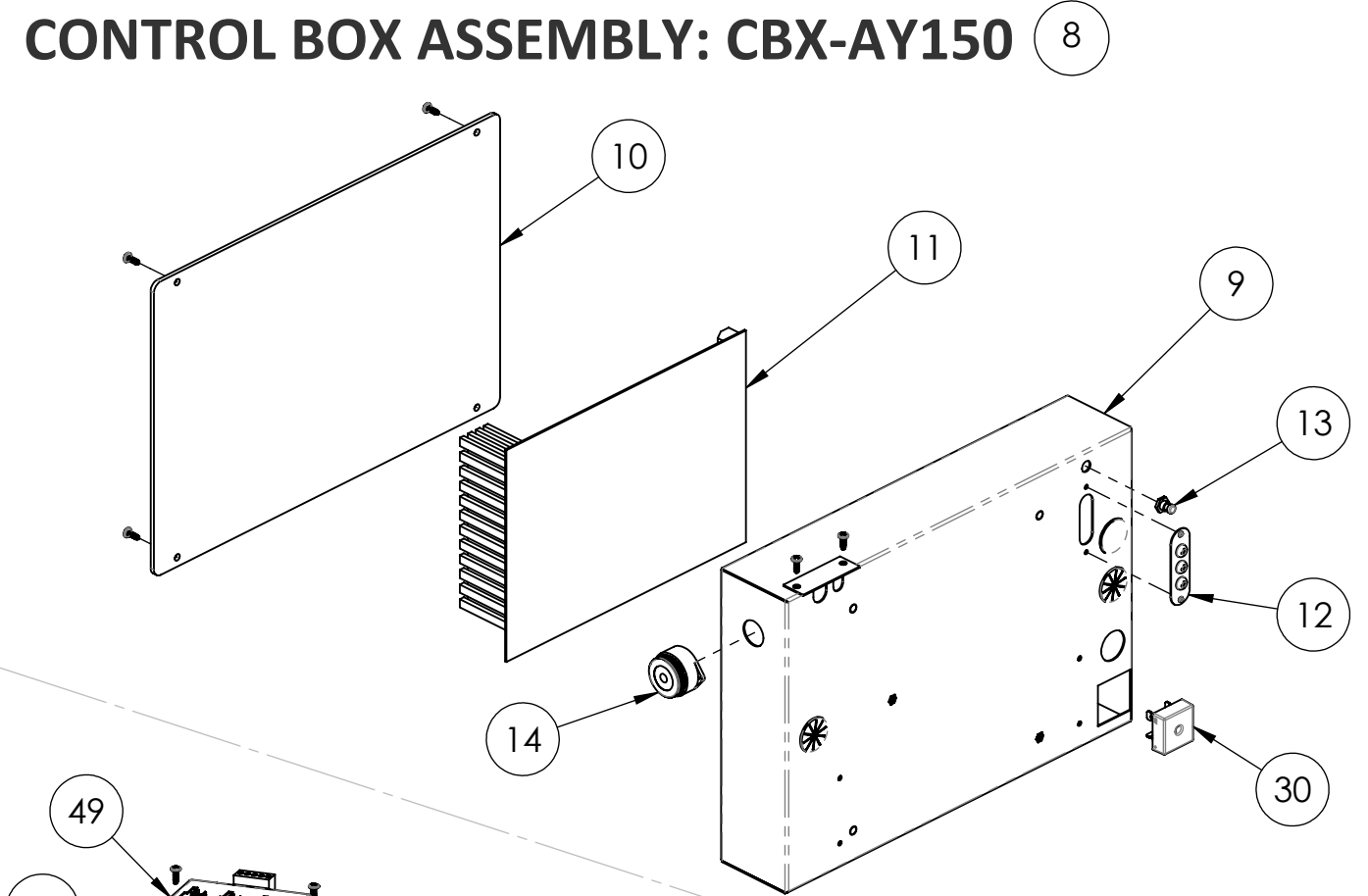
3

2

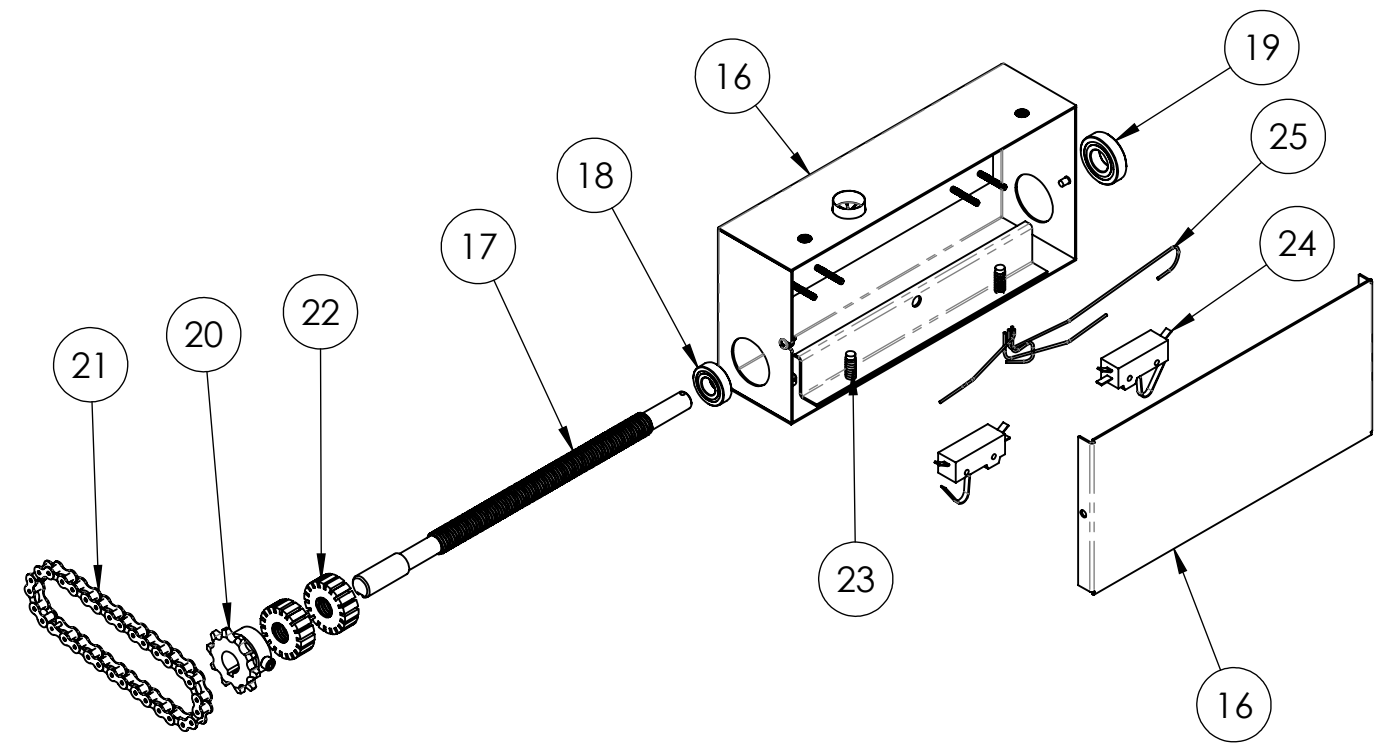
1



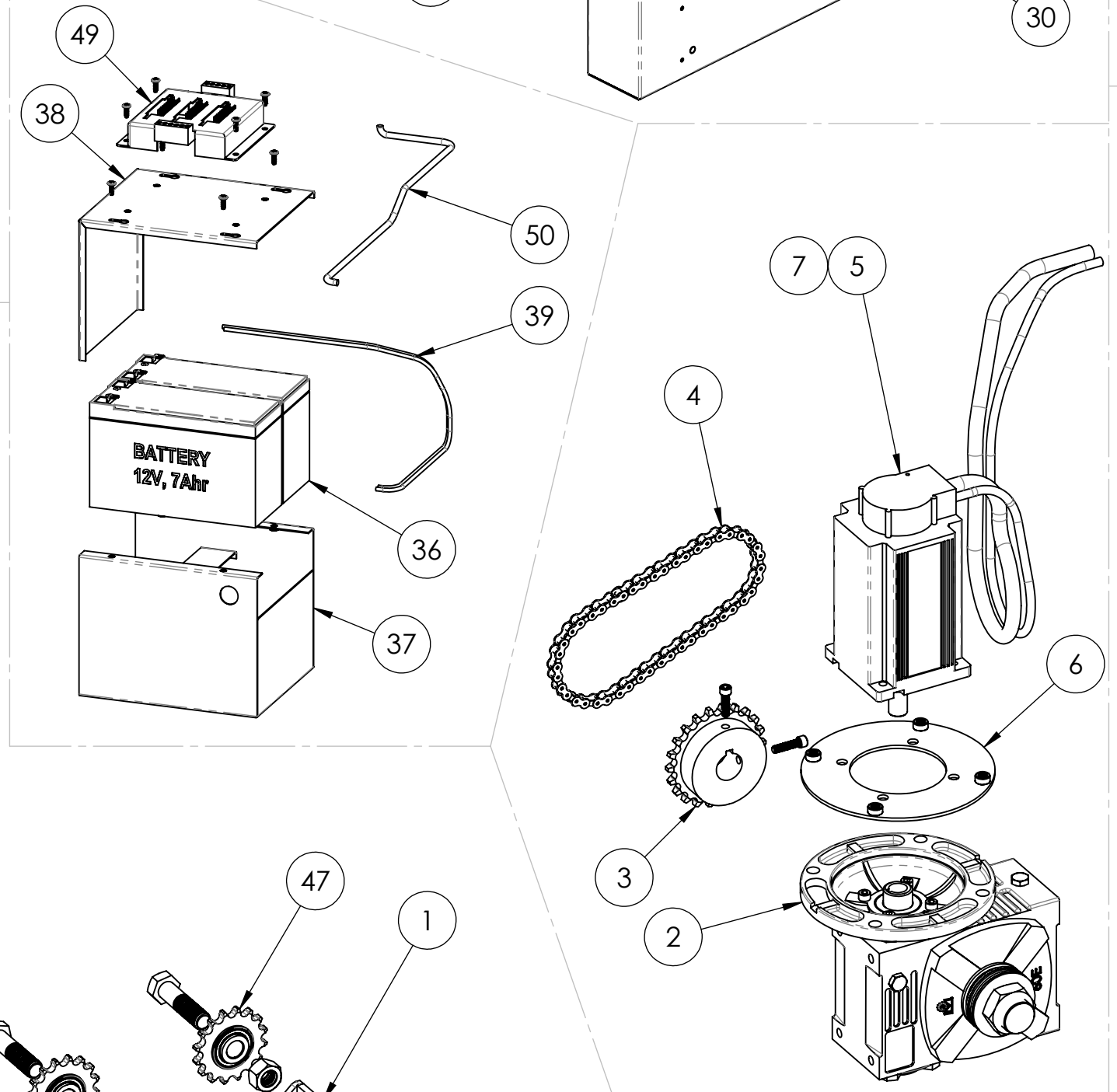
POWER SUPPLY ASSEMBLY: PSB-AY150 (26)



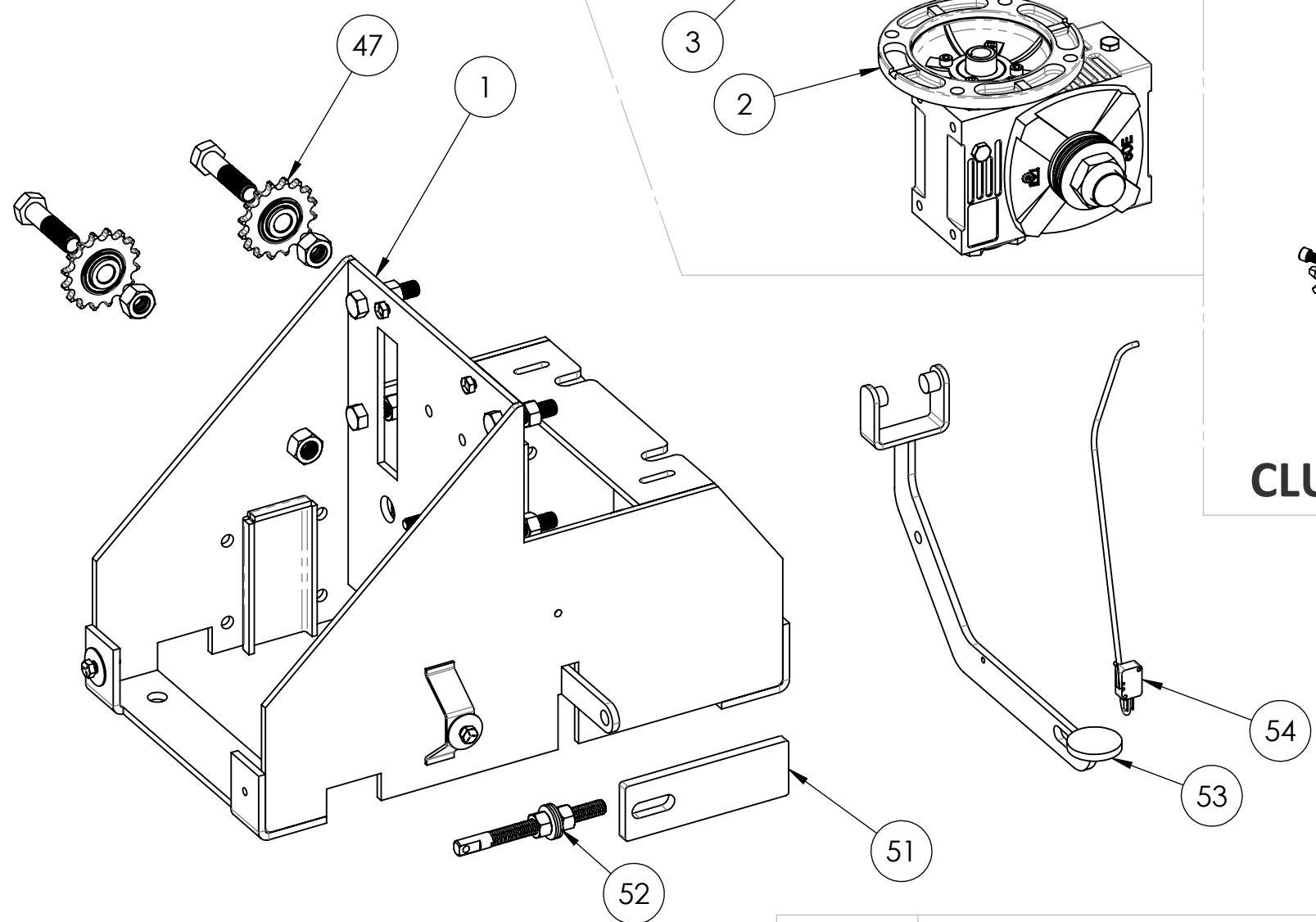
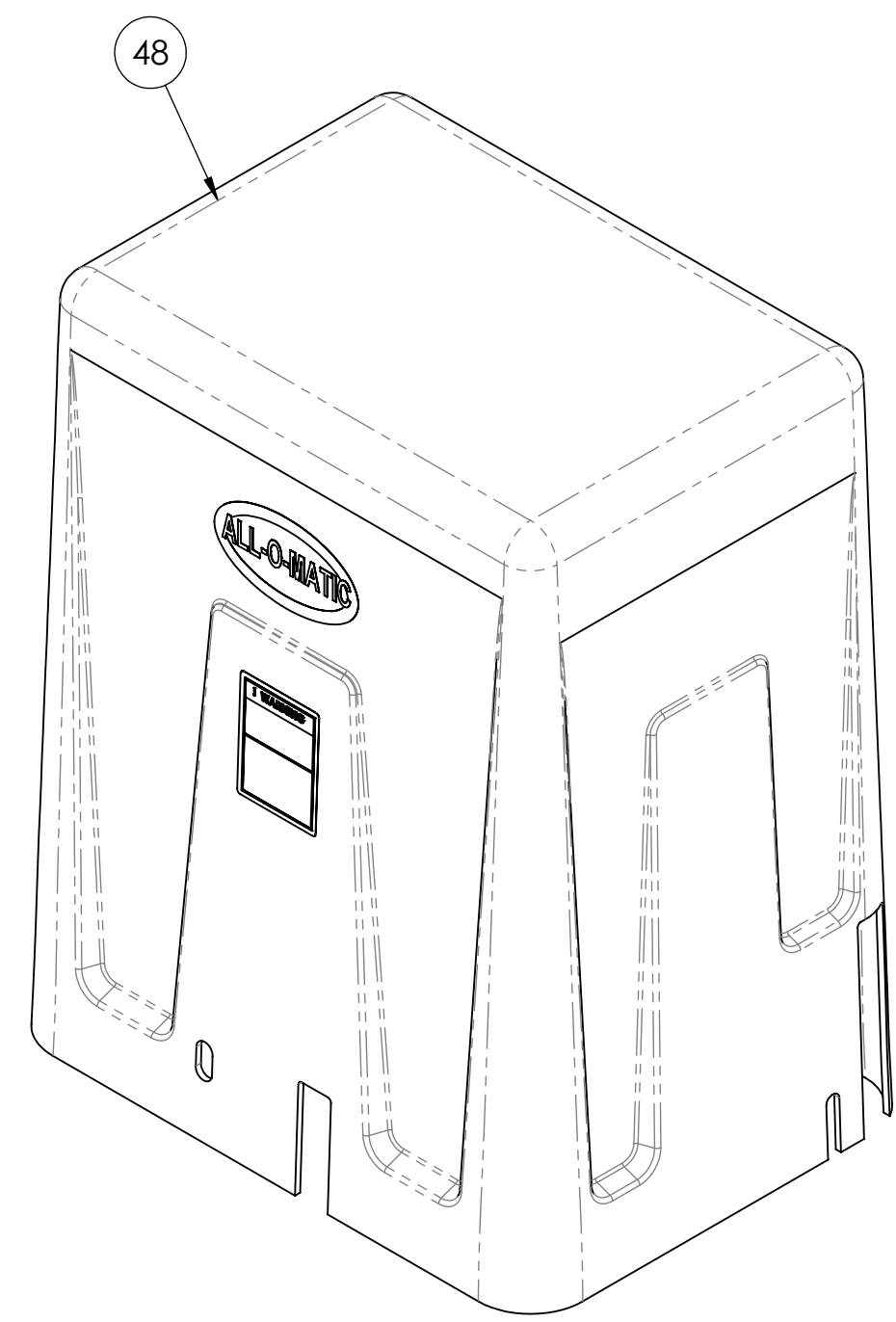
CONTROL BOX ASSEMBLY: CBX-AY150 (8)



LIMIT SWITCH AND SHAFT BOX: LSB-AY150 (15)



CLUTCH AND DRIVE ASSEMBLY: DSA-AY150 (40)



ALL-O-MATIC, Inc.
 7820 Gloria Ave. Phone: (818) 787-1988
 Van Nuys CA, USA 91406
 EMAIL: fortino@allomatic.net

DIMENSIONS ARE IN INCHES
 BREAK SHARP EDGES 10-40
 MACHINED SURFACE FINISH IS
 1.6 MICROMETERS
 DO NOT SCALE DRAWING

THE INFORMATION DISCLOSED HEREIN WAS ORIGINATED BY
 AND IS THE PROPERTY OF ALL-O-MATIC, INC. AND ALL PATENT,
 PROPRIETARY, DESIGN, USE, SALE, MANUFACTURING, AND
 REPRODUCTION RIGHTS THERETO ARE RESERVED BY
 ALL-O-MATIC, INC.

DRAWN BY:	DATE DRAWN:	CHECKED BY:	DATE CHECKED:
MATERIAL:			
RAW MAT:			

TITLE: **SL-150**
 SHEET **2 OF 2** SCALE: **1:10** DRAWING SIZE: **C** PART#:

SYMBOL	ECO#	ENGINEERING CHANGE ORDER REVISION DESCRIPTION	BY	CKD	DATE