

PRINTED ON: 11/29/2022 SW2018 V4

(1) could be field adjusted up to 7" for 4" thick gates

ALL-O-MATIC, Inc.
 7820 Gloria Ave. Phone: (818) 787-1988
 Van Nuys CA, USA 91406
 EMAIL: fortino@allomatic.net

DIMENSIONS ARE IN MILLIMETERS

BREAK SHARP EDGES .10-.40
 MACHINED SURFACE FINISH IS
 1.6 MICROMETERS

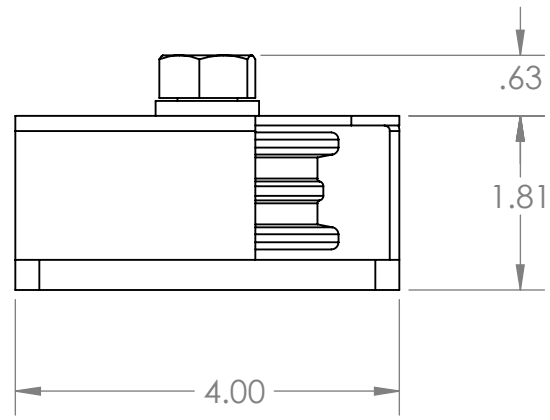
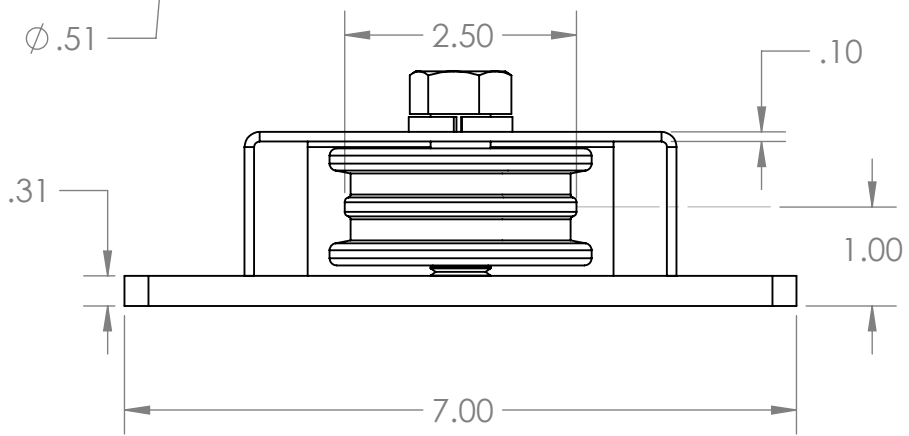
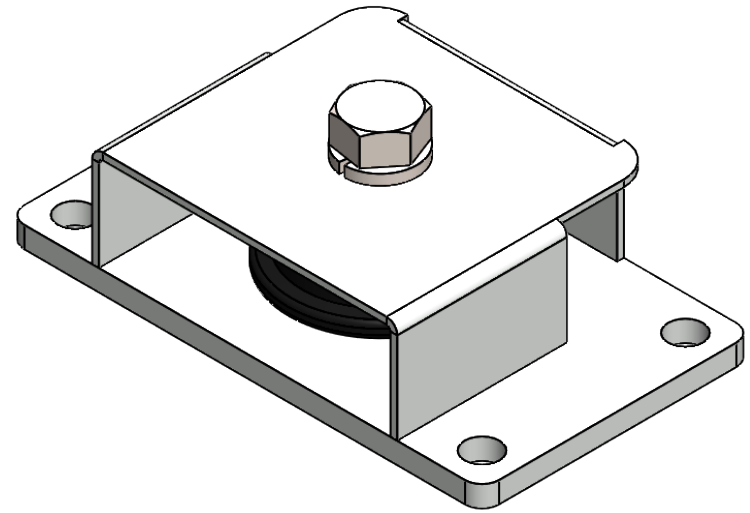
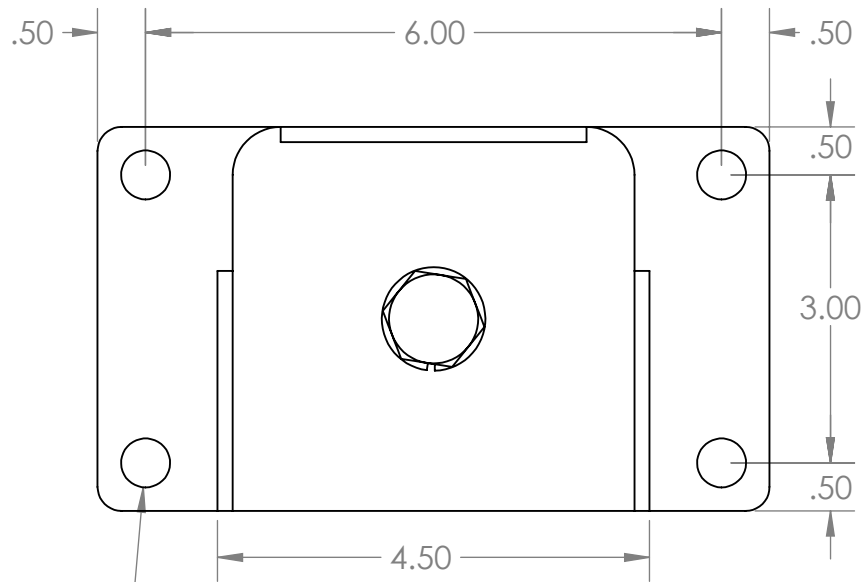
DO NOT SCALE DRAWING

THE INFORMATION DISCLOSED HEREIN WAS ORIGINATED BY
 AND IS THE PROPERTY OF ALL-O-MATIC, INC. AND ALL PATENT,
 PROPRIETARY, DESIGN, USE, SALE, MANUFACTURING, AND
 REPRODUCTION RIGHTS THERETO ARE RESERVED BY
 ALL-O-MATIC, INC.

DRAWN BY: F. Tarula	DATE DRAWN: 11/29/22	CHECKED BY:	DATE CHECKED:
---------------------	----------------------	-------------	---------------

MATERIAL: **Steel (zinc plated)**
 RAW MAT:

TITLE: Tandem Gate Hardware									
SYMBOL	ECO#	ENGINEERING CHANGE ORDER REVISION DESCRIPTION	BY	CKD	DATE	SHEET 1 OF 3	SCALE: 1:8	DRAWING SIZE: A	PART#: TK-1000



PRINTED ON: 11/29/2022 SW2018 V4

ALL-O-MATIC, Inc.
 7820 Gloria Ave. Phone: (818) 787-1988
 Van Nuys CA, USA 91406
 EMAIL: fortino@allomatic.net

DIMENSIONS ARE IN MILLIMETERS
 BREAK SHARP EDGES .10-.40
 MACHINED SURFACE FINISH IS
 1.6 MICROMETERS
 DO NOT SCALE DRAWING

THE INFORMATION DISCLOSED HEREIN WAS ORIGINATED BY
 AND IS THE PROPERTY OF ALL-O-MATIC, INC. AND ALL PATENT,
 PROPRIETARY, DESIGN, USE, SALE, MANUFACTURING, AND
 REPRODUCTION RIGHTS THERETO ARE RESERVED BY
 ALL-O-MATIC, INC.

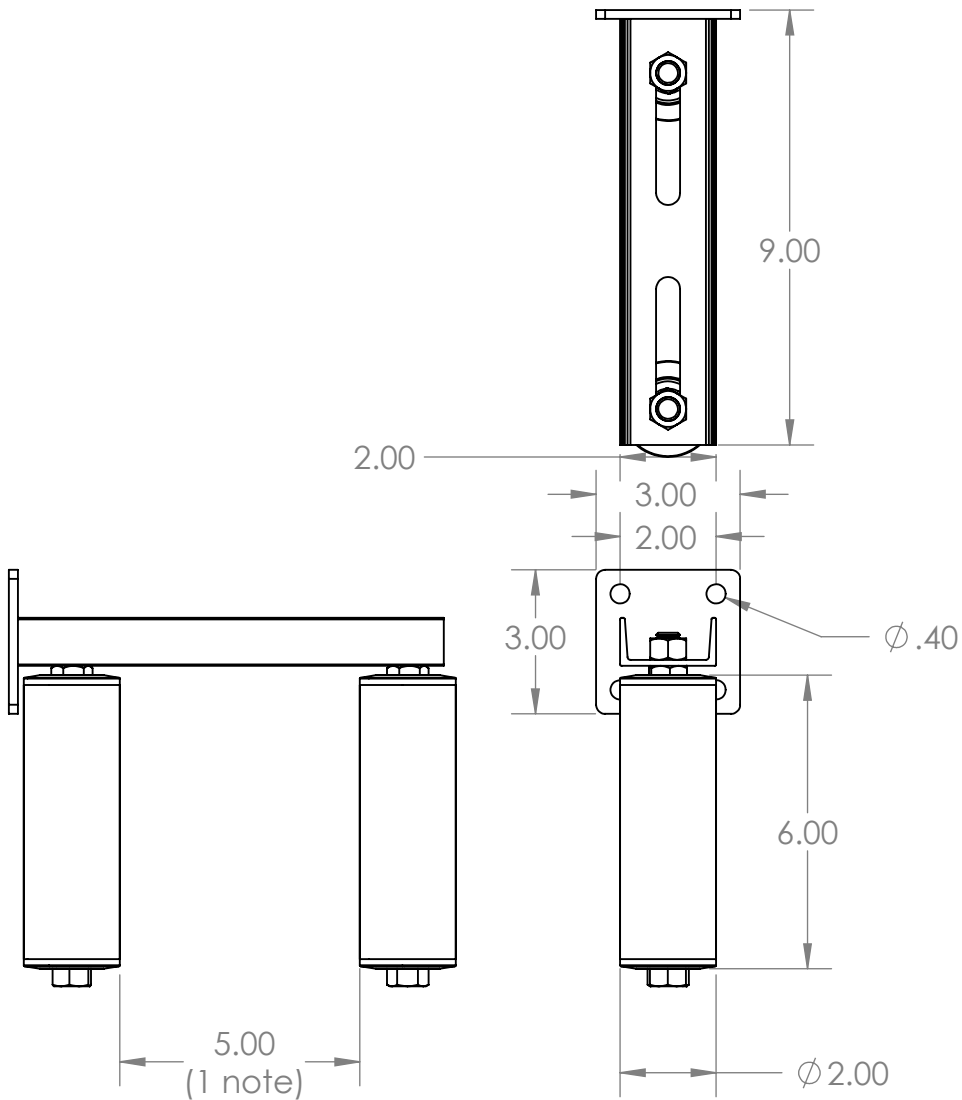
DRAWN BY: F. Tarula DATE DRAWN: 11/29/2022 CHECKED BY: DATE CHECKED:

MATERIAL: **Steel housing (zinc plated)**
 RAW MAT:

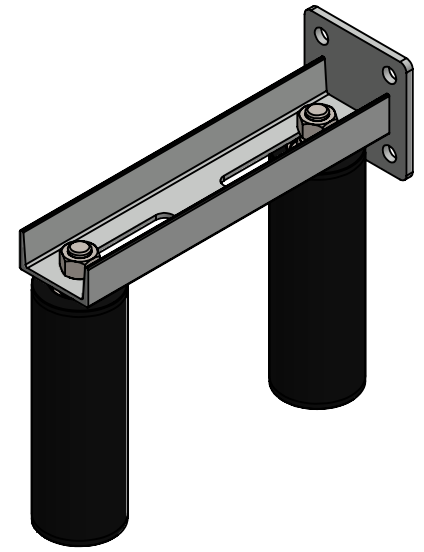
TITLE: **Endless idler box kit (plastic with bearing)**

SYMBOL	ECO#	ENGINEERING CHANGE ORDER REVISION DESCRIPTION	BY	CKD	DATE

SHEET **2** OF **3** SCALE: **1:2** DRAWING SIZE: **A** PART#: **IK-3P**



(1) Adjustment from 0"-5.00"



PRINTED ON: 11/29/2022 SW2018 V4

ALL-O-MATIC, Inc.
 7820 Gloria Ave. Phone: (818) 787-1988
 Van Nuys CA, USA 91406
 EMAIL: fortino@allomatic.net

DIMENSIONS ARE IN MILLIMETERS

BREAK SHARP EDGES .10-.40
 MACHINED SURFACE FINISH IS
 1.6 MICROMETERS

DO NOT SCALE DRAWING

THE INFORMATION DISCLOSED HEREIN WAS ORIGINATED BY
 AND IS THE PROPERTY OF ALL-O-MATIC, INC. AND ALL PATENT,
 PROPRIETARY, DESIGN, USE, SALE, MANUFACTURING, AND
 REPRODUCTION RIGHTS THERETO ARE RESERVED BY
 ALL-O-MATIC, INC.

DRAWN BY: F. Tarula	DATE DRAWN: 11/29/2022	CHECKED BY:	DATE CHECKED:
---------------------	------------------------	-------------	---------------

MATERIAL:
 RAW MAT:

TITLE: Dual Guide roller kit	SHEET 3 OF 3	SCALE: 1:4	DRAWING SIZE: A	PART#: Dual-GR
------------------------------	--------------	------------	-----------------	----------------

SYMBOL	ECO#	ENGINEERING CHANGE ORDER REVISION DESCRIPTION	BY	CKD	DATE