

4

3

2

1

D

D

C

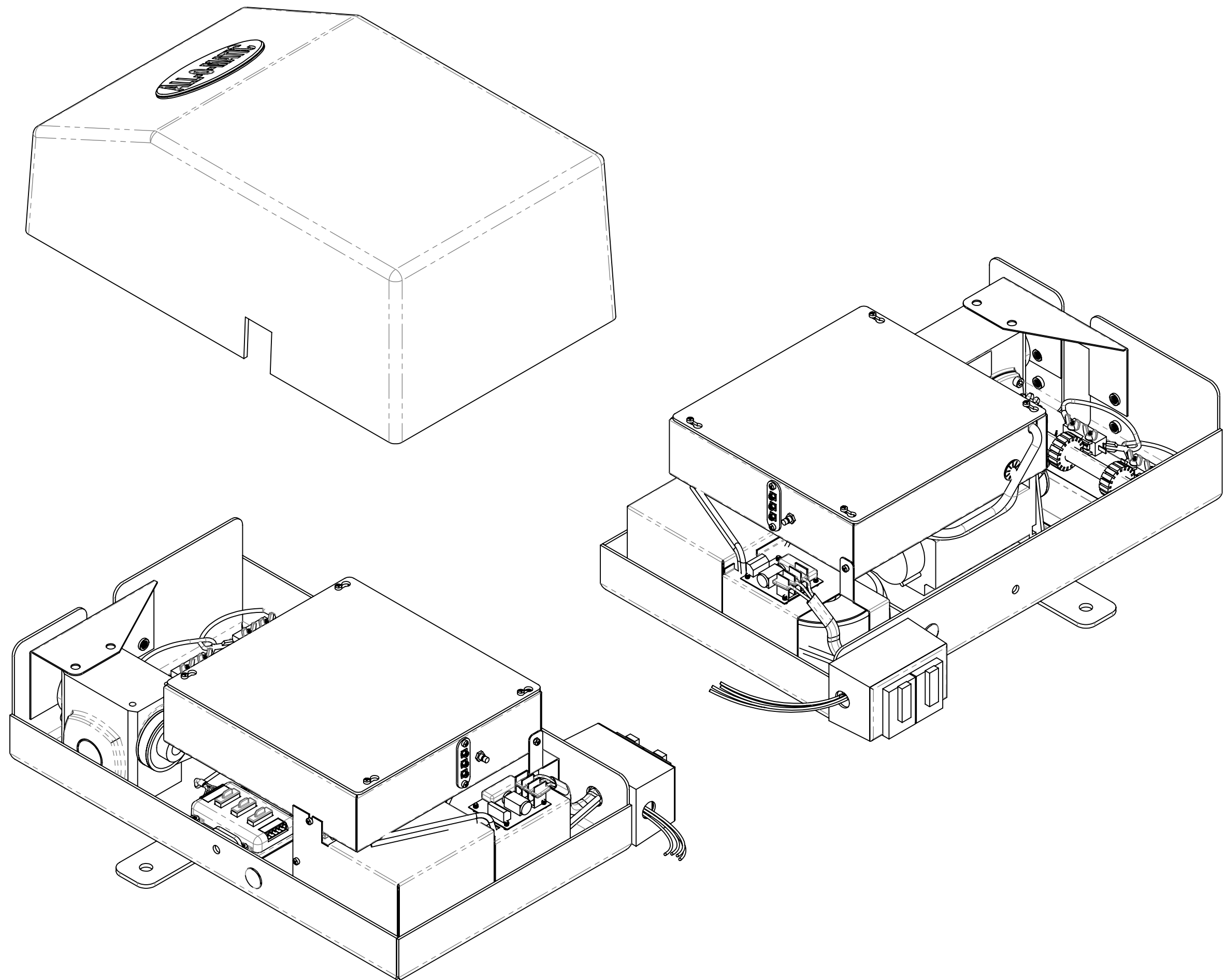
C

B

B

A

A



ITEM NO.	DESCRIPTION	PART NUMBER	QTY.
1	FRAME ONLY	OH-200FM	1
2	GEARBOX	GBX-200	1
3	GEARBOX PULLEY	PLY-25B	1
4	GEARBOX DRIVE SPROCKET	41B15X58	1
5	1/2 HP BRUSHLESS DC MOTOR	MTR-1500	1
6	BRUSHLESS DC MOTOR BRACKET	MTR-1500B	1
7	1/2 HP BRUSHLESS DC MOTOR PULLEY	PLY-2	1
8	1/2 HP BRUSHLESS DC MOTOR DRIVE BELT	4L-200 (AX18)	1
9	LOOP RACK	LPR-2	1
10	LOOP RACK WIRE HARNESS	LPR-H200	1
11	EXTERIOR PLASTIC COVER	EPC-200	1
12	CONTROL BOX ASSEMBLY	CBX-AY200	1
13	CONTROL BOX	CBX-200	1
14	CONTROL BOX COVER	CBC-1011	1
15	CONTROL BOX DC CONTROL BOARD - 1/2 HP	BLDC-ULPCB	1
16	CONTROL BOX ALARM BUZZER	COM-1005	1
17	CONTROL BOX BRIDGE RECTIFIER	COM-1006	1
18	POWER SUPPLY BOX LINE-IN WIRE HARNESS	COM-1016	1
19	CONTROL BOX RADIO RECEIVER STRIP	COM-1003	1
20	CONTROL BOX RESET PUSH BUTTON	COM-1004	1
21	LIMIT SWITCH BOX ASSEMBLY	LSB-AY200	1
22	LIMIT SWITCH PLASTIC NUT	COM-1008	2
23	LIMIT SWITCH STAND	LST-200	1
24	LIMIT SWITCH	COM-1007	2
25	LIMIT SWITCH PLATE	LSP-200	1
26	LIMIT SWITCH PLATE SPRING (2 PCS)	SPG-7575	2
27	LIMIT SWITCH WIRE HARNESS	LSH-200	1
28	POWER SUPPLY BOX ASSEMBLY	PSB-AY200	1
29	POWER SUPPLY BOX	PSB-200	1
30	POWER SUPPLY DUPLEX COVER	PSC-200	1
31	POWER SUPPLY ON/OFF SWITCH	PSS-200	1
32	POWER SUPPLY WIRE HARNESS	PSH-200	1
33	POWER SUPPLY BOX TRANSFORMER	TFR-480	1
34	POWER SUPPLY BOX BOARD	EMI-PCB	1
35	BATTERY BOX ASSEMBLY	BTB-AY200	1
36	BATTERY BOX COVER	BTC-200	1
37	7AH BATTERY	BTY-1270	2
38	BATTERY WIRE HARNESS	BTY-H200	1
39	OVERHEAD TRACK RAILS ASSEMBLY	OTR-AY200	1
40	OVERHEAD TRACK RAILS SET (2 PCS)	TKR-200	1
41	OVERHEAD CENTER PLASTIC IDLER W/SHAFT	CIR-200	1
42	OVERHEAD END PLASTIC IDLER W/SHAFT	EIR-200	1
43	OVERHEAD TRACK ADJUSTING BRACKET SET	ABT-200	2
44	OVERHEAD TRACK END BRACKET	EBT-200	1
45	OVERHEAD TRACK CARRIAGE	OTC-AY200	1
46	OVERHEAD QUICK RELEASE ARM	QRA-200	1
47	OVERHEAD CARRIAGE CHAIN BULLET	CCB-200	1

ALL-O-MATIC, Inc.
 7820 Gloria Ave. Phone: (818) 787-1988
 Van Nuys CA, USA 91406
 EMAIL: fortino@allomatic.net

DIMENSIONS ARE IN INCHES
 BREAK SHARP EDGES 10-40
 MACHINED SURFACE FINISH IS
 1.6 MICROMETERS
 DO NOT SCALE DRAWING

THE INFORMATION DISCLOSED HEREIN WAS ORIGINATED BY
 AND IS THE PROPERTY OF ALL-O-MATIC, INC. AND ALL PATENT,
 PROPRIETARY, DESIGN, USE, SALE, MANUFACTURING, AND
 REPRODUCTION RIGHTS THERETO ARE RESERVED BY
 ALL-O-MATIC, INC.

DRAWN BY: S.HUERTA DATE: 04/20/2022 CHECKED BY: F. TARULA DATE:
 MATERIAL: RAW MAT:
 TITLE: **OH-200 DC**
 SHEET 1 OF 2 SCALE: 1:4 DRAWING SIZE: C PART#: OH-200 DC

4

3

2

1

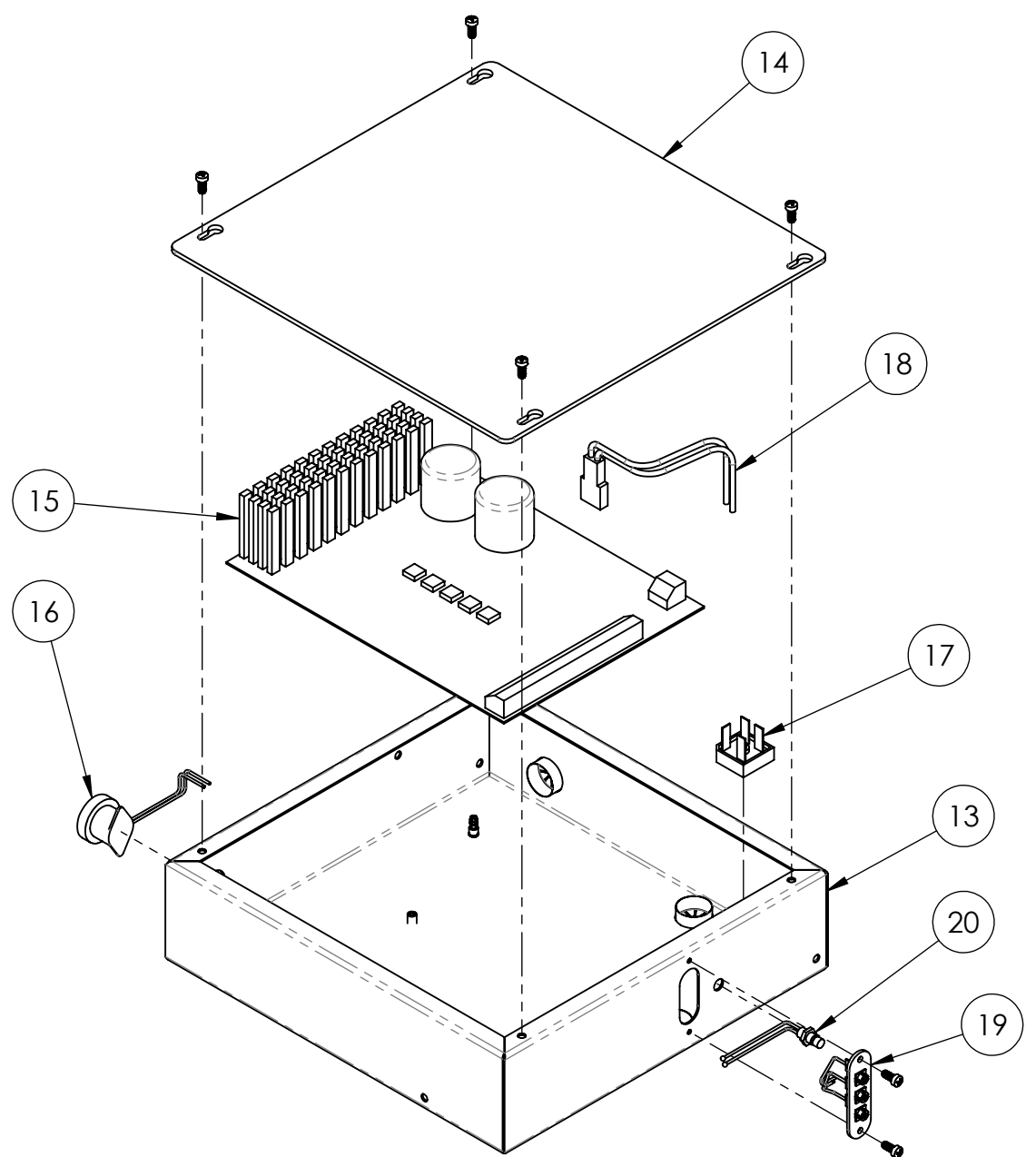
4

3

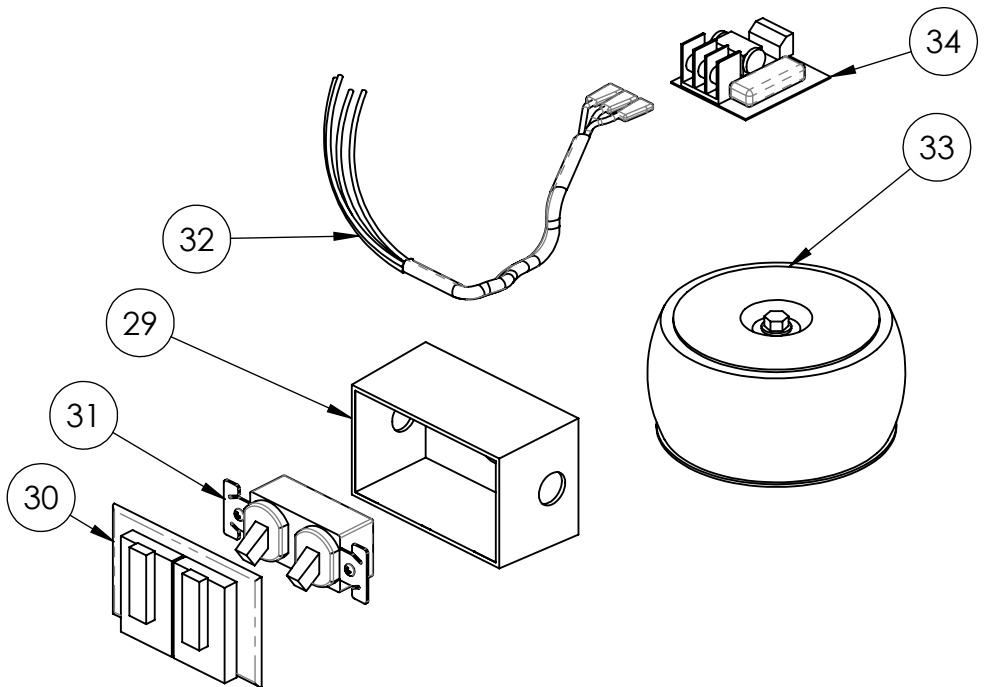
2

1

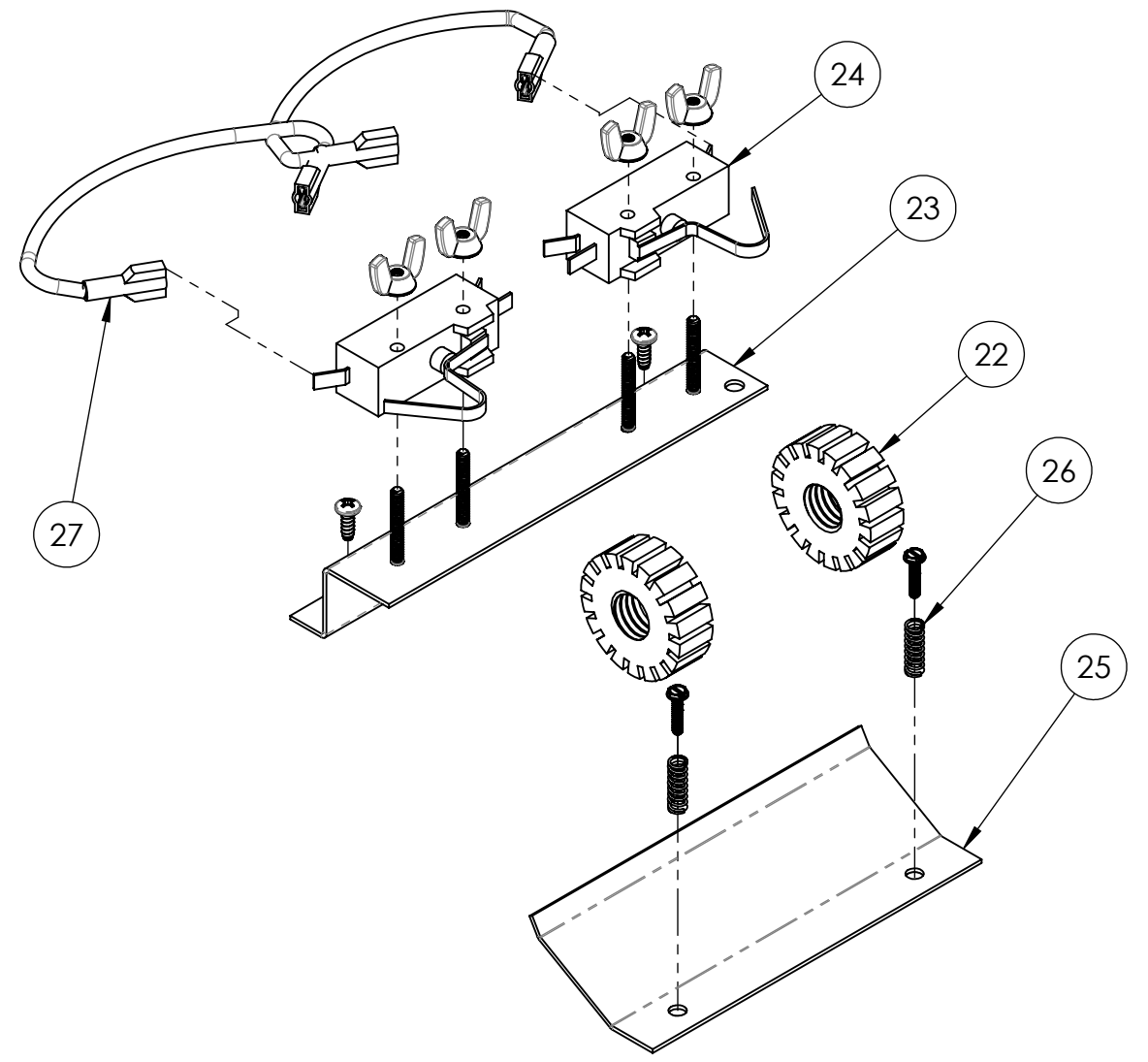
CONTROL BOX ASSEMBLY : CBX-AY200 (12)



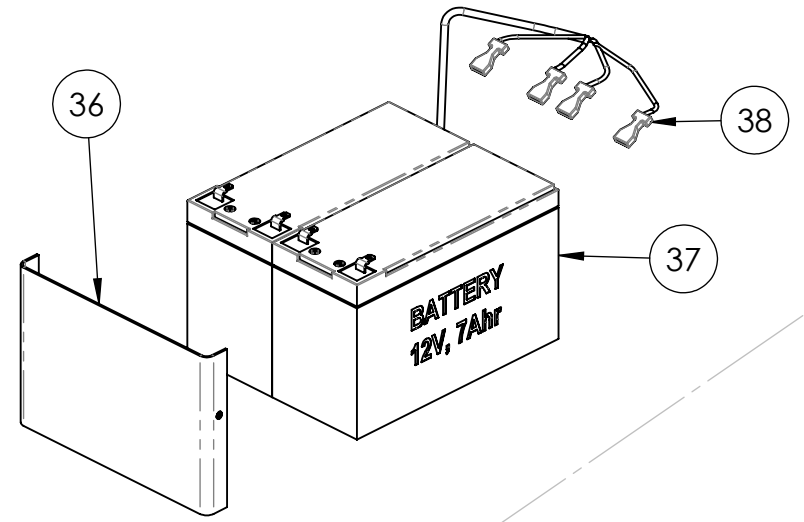
POWER SUPPLY BOX ASSEMBLY : PSB-AY200 (28)



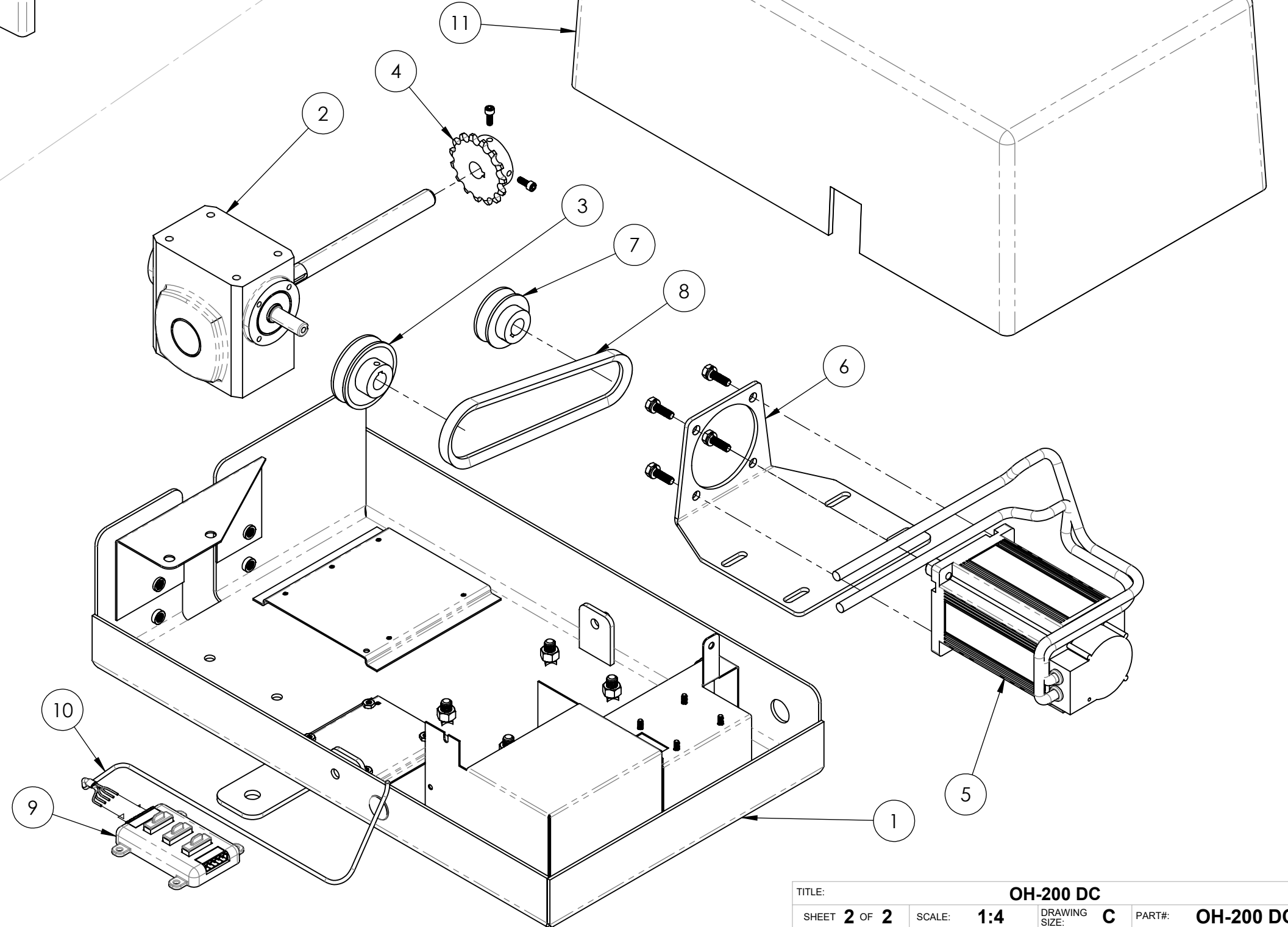
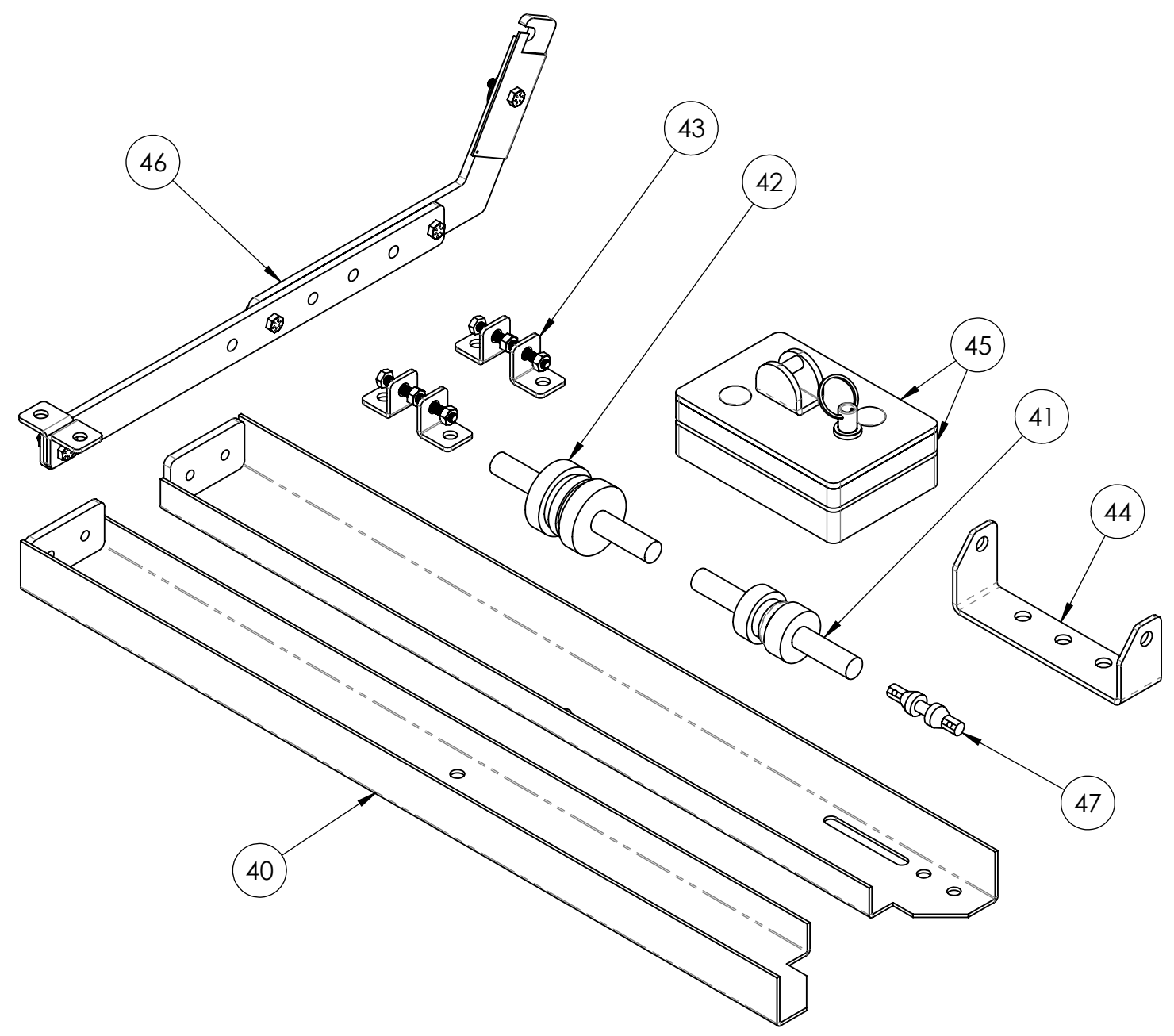
LIMIT SWITCH BOX ASSEMBLY : LSB-AY200 (21)



BATTERY BOX ASSEMBLY : BTB-AY200 (35)



OVERHEAD TRACK RAILS ASSEMBLY : OTR-AY200 (39)



4

3

2

1