

4

3

2

1

D

D

C

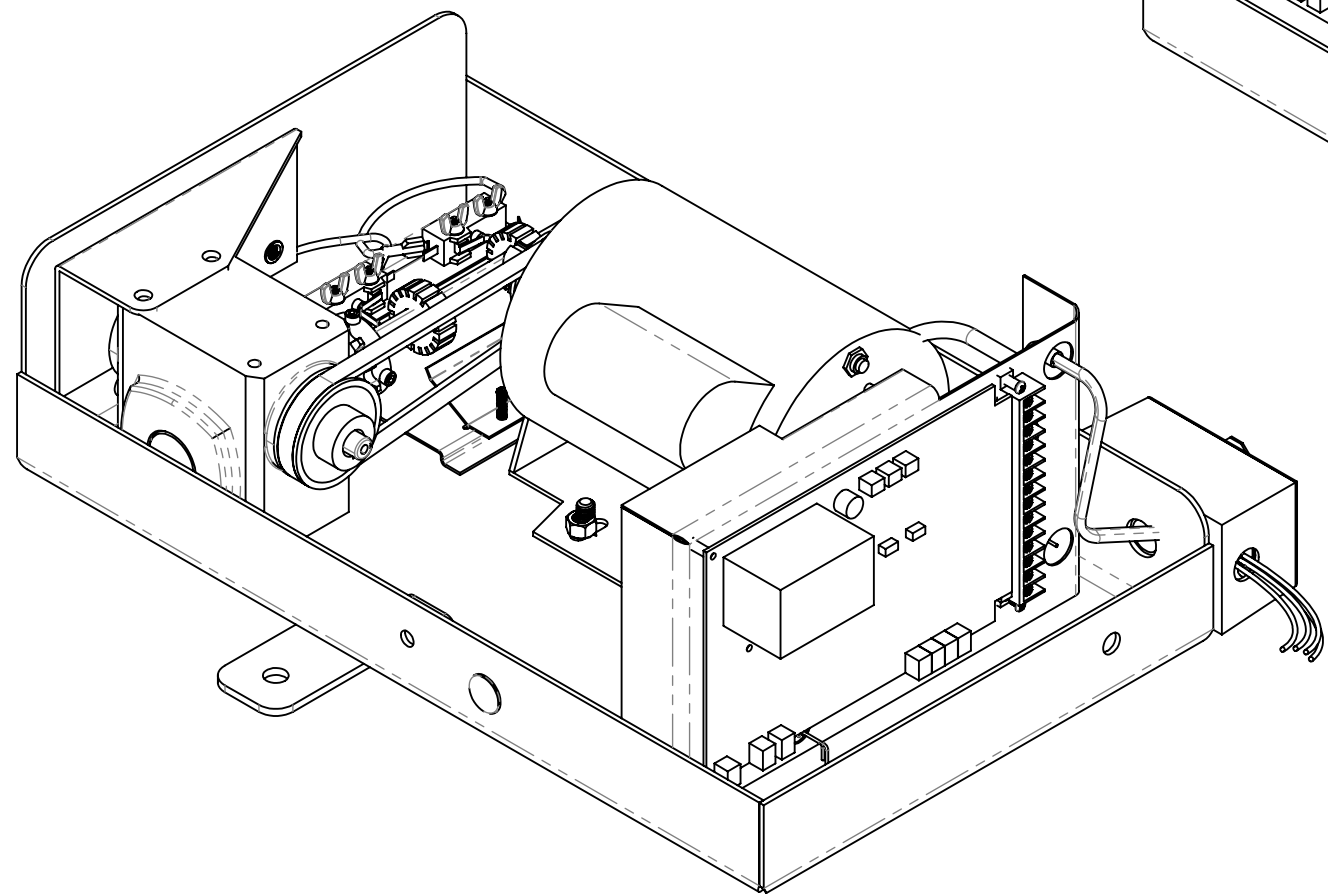
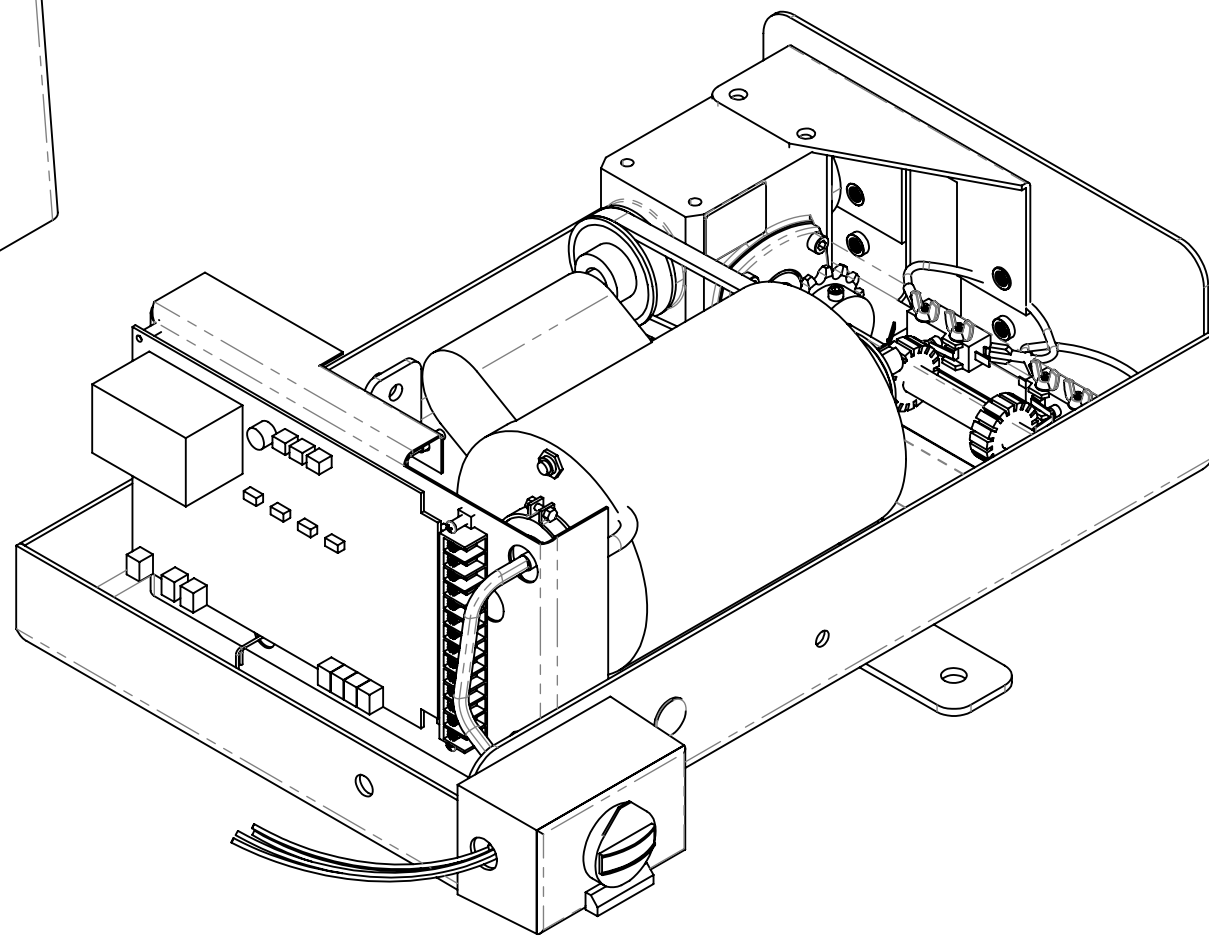
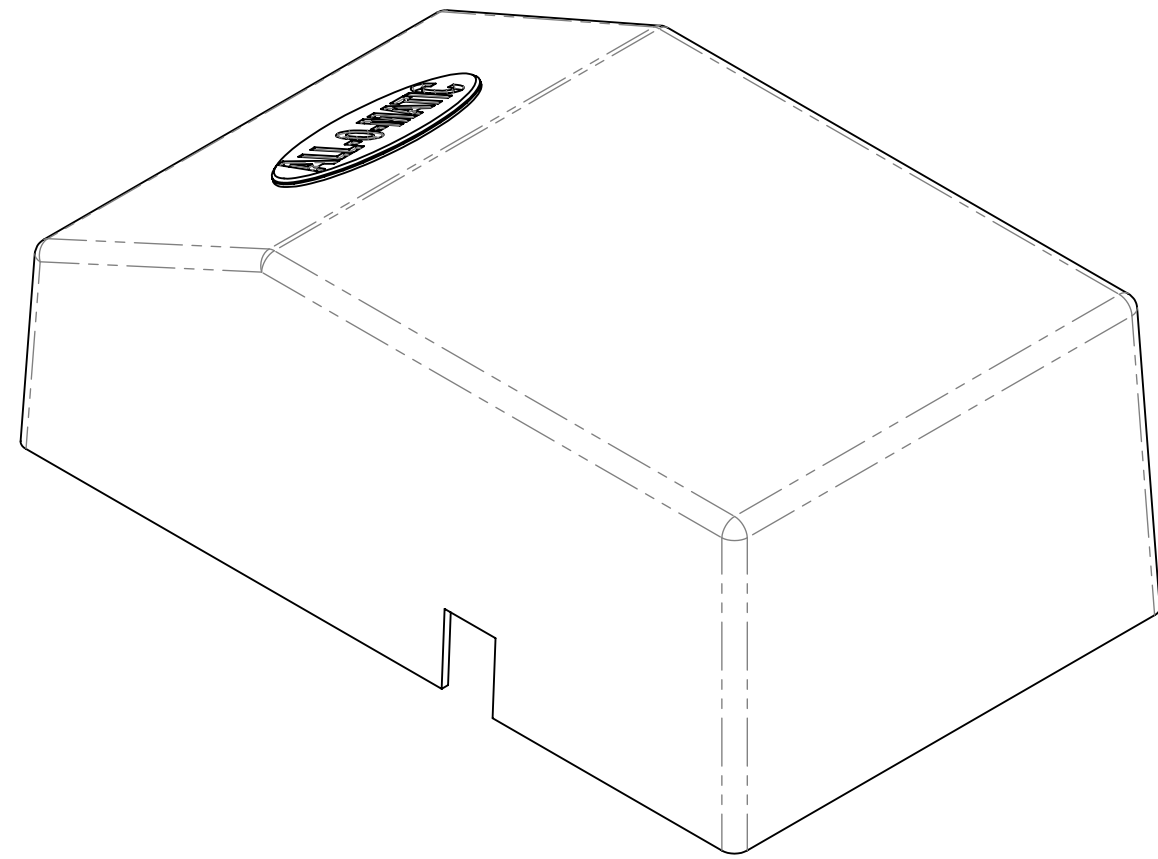
C

B

B

A

A



ITEM NO.	DESCRIPTION	PART NUMBER	QTY.
1	FRAME ONLY	OH-201FM	1
2	GEARBOX	GBX-200	1
3	GEARBOX PULLEY	PLY-25B	1
4	GEARBOX DRIVE SPROCKET	41B15X58	1
5	1/2 HP AC MOTOR	MTR-1050	1
6	1/2 HP AC MOTOR PULLEY	PLY-2	1
7	1/2 HP AC MOTOR WIRE HARNESS	MTR-H201	1
8	1/2 HP AC MOTOR DRIVE BELT	4L-200 (AX18)	1
9	EXTERIOR PLASTIC COVER	EPC-200	1
10	CONTROL BOX ASSEMBLY	CBX-AY201	1
11	CONTROL BOX AC CONTROL BOARD	ACPCB-UL	1
12	CONTROL BOX 14 PIN TERMINAL STRIP	COM-1002	1
13	CONTROL BOX ALARM BUZZER	COM-1005	1
14	CONTROL BOX RADIO RECEIVER STRIP	COM-1003	1
15	CONTROL BOX RESET PUSH BUTTON	COM-1004	1
16	POWER SUPPLY BOX ASSEMBLY	PSB-AY201	1
17	POWER SUPPLY BOX	PSB-201	1
18	POWER SUPPLY COVER	PSC-201	1
19	POWER SUPPLY WIRE HARNESS	PSH-201	1
20	POWER SUPPLY ON/OFF SWITCH	PSS-201	1
21	LIMIT SWITCH BOX ASSEMBLY	LSB-AY201	1
22	LIMIT SWITCH PLASTIC NUT	COM-1008	2
23	LIMIT SWITCH STAND	LST-200	1
24	LIMIT SWITCH	COM-1007	2
25	LIMIT SWITCH PLATE	LSP-200	1
26	LIMIT SWITCH PLATE SPRING (2 PCS)	SPG-7575	2
27	LIMIT SWITCH WIRE HARNESS	LSH-H201	1
28	OVERHEAD TRACK RAILS ASSEMBLY	OTR-AY200	1
29	OVERHEAD TRACK RAILS SET (2 PCS)	TKR-200	1
30	OVERHEAD CENTER PLASTIC IDLER W/SHAFT	CIR-200	1
31	OVERHEAD END PLASTIC IDLER W/SHAFT	EIR-200	1
32	OVERHEAD TRACK ADJUSTING BRACKET SET	ABT-200	2
33	OVERHEAD TRACK END BRACKET	EBT-200	1
34	OVERHEAD TRACK CARRIAGE	OTC-AY200	1
35	OVERHEAD QUICK RELEASE ARM	QRA-200	1
36	OVERHEAD CARRIAGE CHAIN BULLET	CCB-200	1

ALL-O-MATIC, Inc.
 7820 Gloria Ave. Phone: (818) 787-1988
 Van Nuys CA, USA 91406
 EMAIL: fortino@allomatic.net

DIMENSIONS ARE IN INCHES
 BREAK SHARP EDGES 10-40
 MACHINED SURFACE FINISH IS
 1.6 MICROMETERS
 DO NOT SCALE DRAWING

THE INFORMATION DISCLOSED HEREIN WAS ORIGINATED BY
 AND IS THE PROPERTY OF ALL-O-MATIC, INC. AND ALL PATENT,
 PROPRIETARY, DESIGN, USE, SALE, MANUFACTURING, AND
 REPRODUCTION RIGHTS THERE TO ARE RESERVED BY
 ALL-O-MATIC, INC.

DRAWN BY: S. HUERTA DATE: 04/22/2022 CHECKED BY: F. TARULA DATE CHECKED:

MATERIAL:
 RAW MAT:

TITLE: **OH-200 AC**

SHEET 1 OF 2 SCALE: 1:4 DRAWING SIZE: C PART#: OH-200 AC

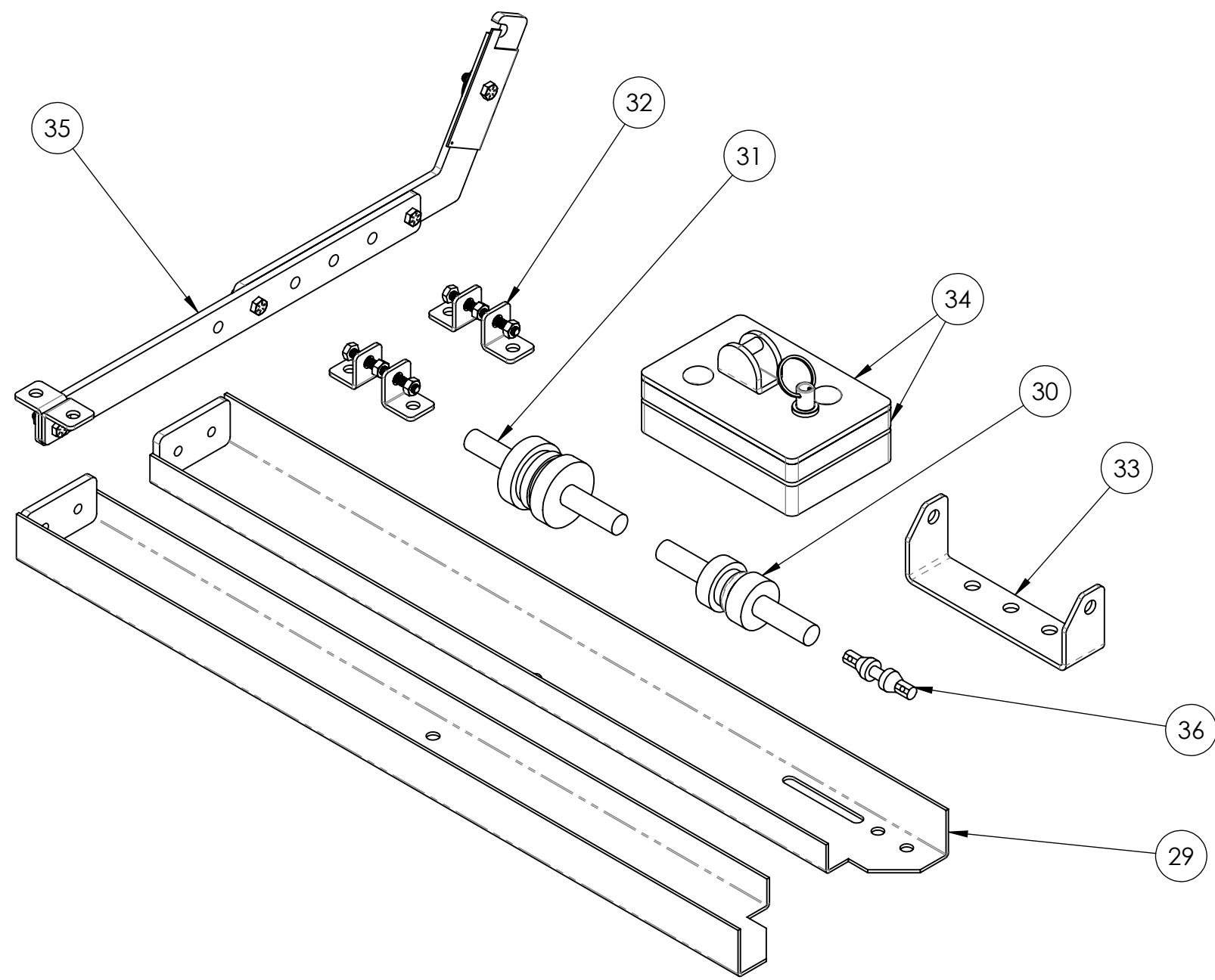
4

3

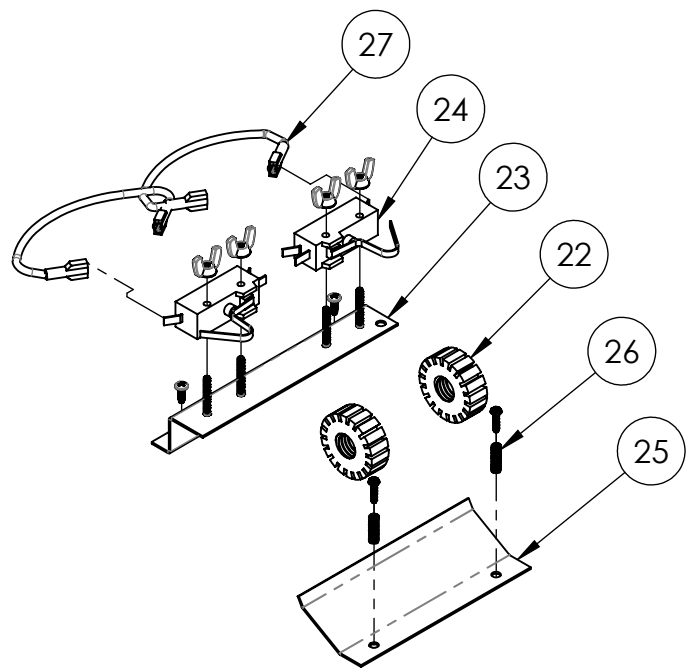
2

1

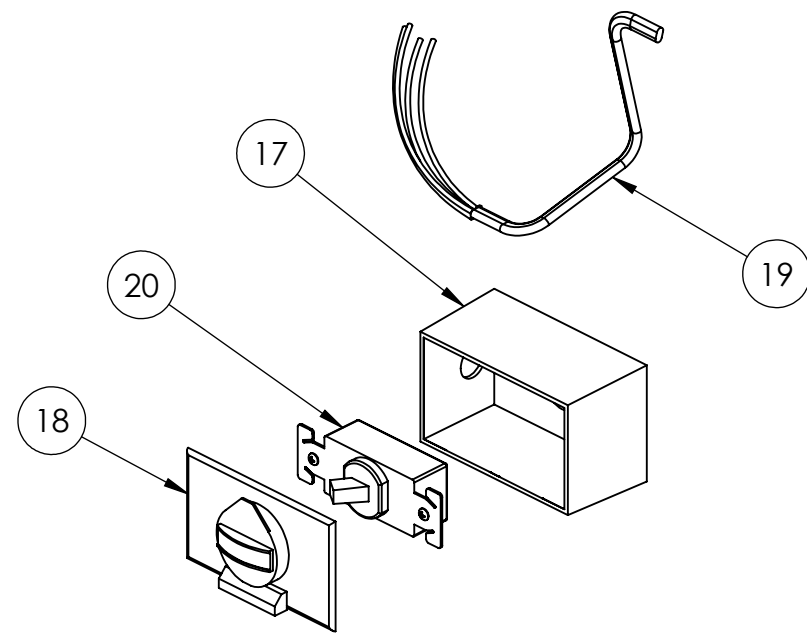
OVERHEAD TRACK RAILS ASSEMBLY :
OTR-AY200 (28)



LIMIT SWITCH ASSEMBLY :
LSB-AY201 (21)



POWER SUPPLY BOX ASSEMBLY :
PSB-AY201 (16)



CONTROL BOX ASSEMBLY :
CBX-AY201 (10)

